

A
ASCOT
COMMERCIAL GROUP



2022-2023
CATALOGUE
Effective on 01/09/2022



Warranty period for chairs and lounges



Weight rating for individual chairs and lounges*



Fully imported Chairs, lounges, parts and components.



The Performance criteria adopted for certification by Furntech is based on Australian standards, e.g. Level 6 - Severe commercial and heavy industrial.*

**Weight limits are self-rated by Style Ergonomic Australia. AFRDI approved chairs are normally rated to 110kg.*

AFRDI 142 Certification



AFRDI rating for multi shift use and 160kg weight limit.



Furntech is an independent not-for-profit technical organisation providing standards, testing product certification and research for buyers and sellers of furniture.



BIFMA is a third-party certification program that provides manufacturers with valuable feedback for evaluating the environmental, human, and social impacts of their furniture products for manufacturing, facility, and organisation.



All instructions of use are instructed while sitting in the chair.

CONTENTS

R1- TASK MESH SEATING

Intro range	4
Yarra range	6
Rio range	8
Expo range	10
Hino range	12
Brent range	14

R2- TASK SEATING

P350 range	16
Aqua range	18
Click range	20
TR600 range	22
Spot range	24

R3 - BOARDROOM SEATING

Capri range	26
Gala range	28
Chevy range	30
Web range	32
Volt range	34

R4 - MULTI SHIFT SEATING

Siren range	36
Logan range	38
Oyster range	40
Rover range	42
Ranger range	44
Impact range	46

R5- EXECUTIVE MESH SEATING

Gibbs range	48
Bolt range	50
Kube range	52
Baxter range	54
Evita range	56
Zodiac range	58
Renata range	60
Ergo-1 range	62

R6- EXECUTIVE SEATING

Hilton range	64
Cruz range	66
Venus range	68
Ohio range	70
Camry range	72
Boston range	74
Grand range	76
Flash range	78
Select range	80
Enzo range	82
Magnum range	84
Captain range	86

R7 - HOSPITALITY SEATING

Neo range	88
Rose range	90
Focus range	92
Vinn range	94
Pod range	98

R8 - BEAM SEATING

Focus beam range	102
Vinn beam range	104
Pod beam range	106

R9 - BREAKOUT SEATING

Raven range	108
Tonic range	110
Oscar range	112

R10 - SOFT SEATING

Orion range	114
Blitz range	116
Rivet range	118
Jaden range	120
Plaza range	122

R11 - INDUSTRIAL STOOLS

Cad range	124
Stage range	126

R1 TASK MESH SEATING

INTRO



FEATURES

- » Adjustable seat height
- » Adjustable seat and back angle
- » Adjustable weight tension
- » Fixed arms
- » Butterfly mechanism
- » 600mm heavy duty 5 star base
- » Available in black, blue, green and red only
- » Minor assembly required
- » Suitable for indoor use only
- » 4 year warranty
- » Weight limit is 120kg

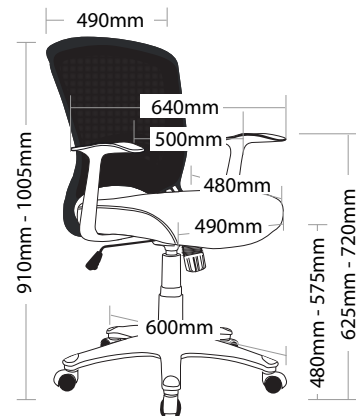
COLOUR



Black Blue Green Red

INDOOR USE ONLY

✗ Do not use as a step ladder



INTRO

INTRO TASK MESH SEATING



INTRO-BLACK



INTRO-BLUE



INTRO-GREEN



INTRO-RED

R1 TASK MESH SEATING

YARRA

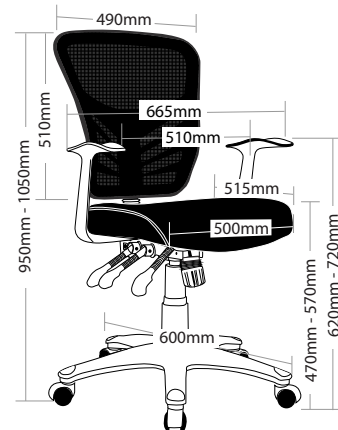
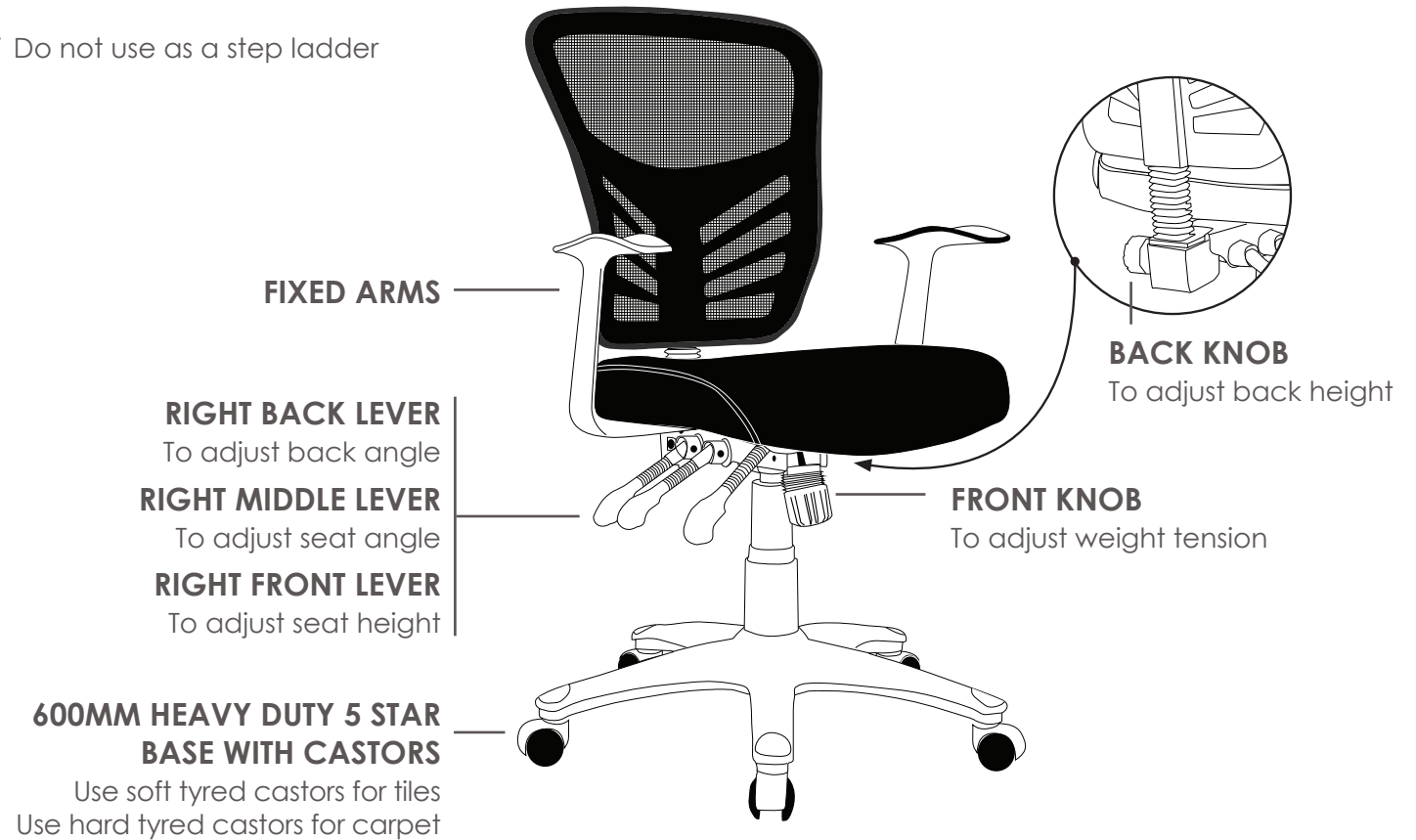


FEATURES

- » Adjustable seat height
- » Adjustable back height
- » Adjustable seat and back angle
- » Adjustable weight tension
- » Fixed arms
- » 3 lever ergonomic mechanism
- » 600mm heavy duty 5 star base
- » Available in black only
- » Minor assembly required
- » Suitable for indoor use only
- » 4 year warranty
- » Weight limit is 120kg

INDOOR USE ONLY

✗ Do not use as a step ladder



YARRA

YARRA TASK MESH SEATING



YARRA



BACK VIEW



SIDE VIEW

R1 TASK MESH SEATING

RIO



FEATURES

- » Adjustable seat height
- » Adjustable back height (ratchet)
- » Adjustable seat and back angle
- » Optional adjustable arms
- » Optional drafting kit
- » Available in high and low back
- » Moulded seat foam
- » Java seat
- » Mesh back
- » 3 lever ergonomic mechanism
- » 600mm black nylon base
- » Available in Metro black only
- » AFRDI tested to level 6
- » Minor assembly required
- » Suitable for indoor use only
- » 7 year warranty
- » Weight limit is 130kg

INDOOR USE ONLY

✗ Do not use as a step ladder

To adjust back height hold back with two hands while seated and raise to desired height
To lower the back height raise back all the way to the top and release slowly

OPTIONAL
ADJUSTABLE ARMS

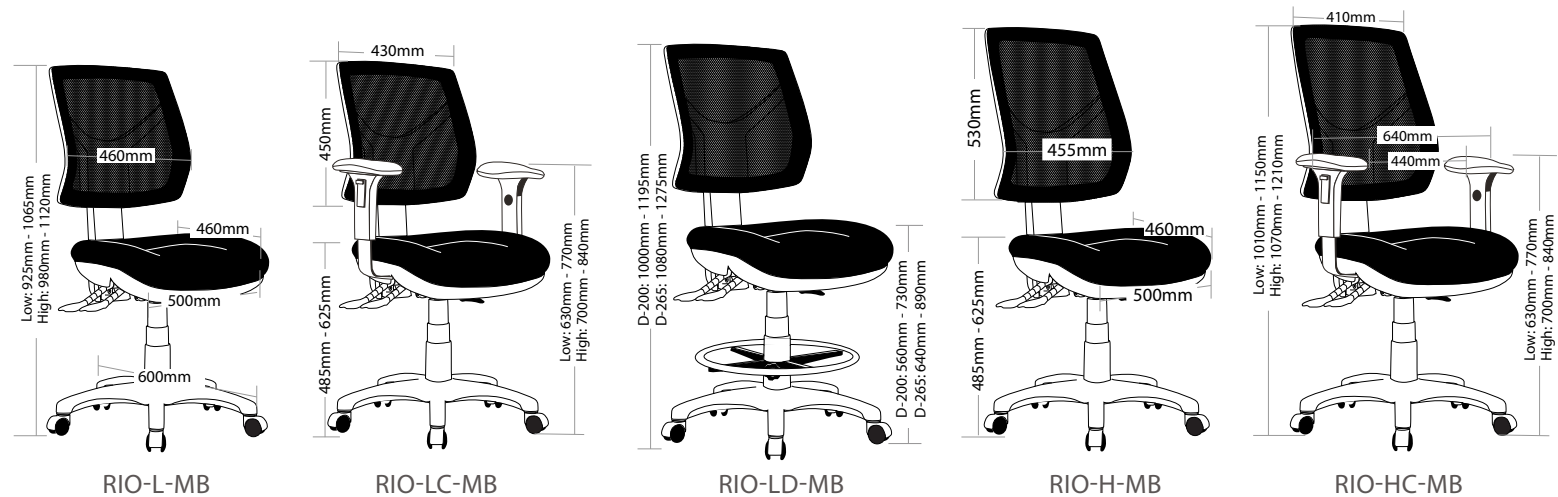
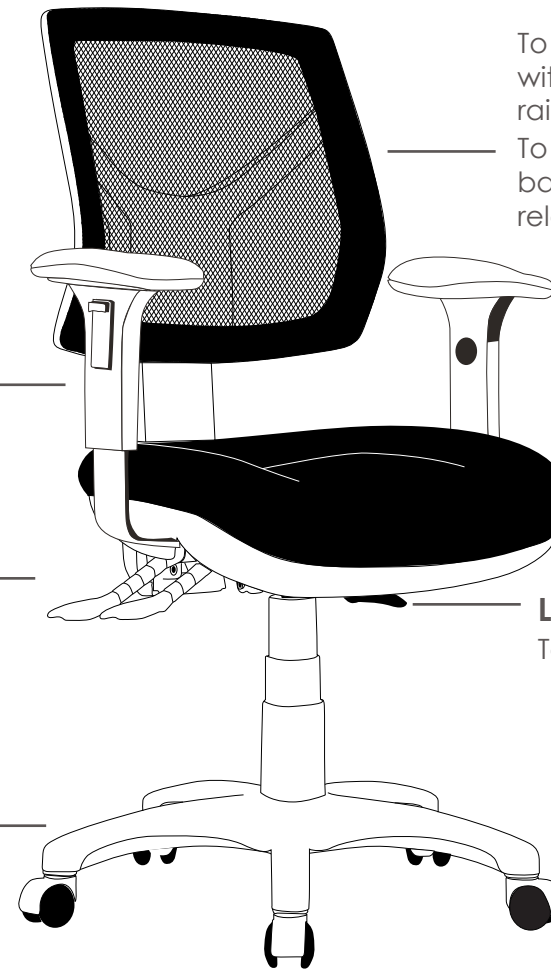
RIGHT BACK LEVER
To adjust back angle

RIGHT FRONT LEVER
To adjust seat height

LEFT LEVER
To adjust seat angle

600MM BLACK NYLON 5 STAR
BASE WITH CASTORS

Use soft tyred castors for tiles
Use hard tyred castors for carpet



RIO TASK MESH SEATING



RIO-L-MB



RIO-LC-MB



RIO-LD-MB



RIO-H-MB



RIO-HC-MB

R1 TASK MESH SEATING

EXPO



FEATURES

- » Adjustable seat height
- » Adjustable back height (ratchet)
- » Adjustable seat and back angle
- » Optional adjustable arms
- » Optional drafting kit
- » Available in high and low back
- » Square seat
- » Moulded seat foam
- » Mesh back
- » 3 lever ergonomic mechanism
- » 660mm black nylon base
- » Available in Metro black only
- » AFRDI tested to level 6
- » Minor assembly required
- » Suitable for indoor use only
- » 7 year warranty
- » Weight limit is 130kg

INDOOR USE ONLY

✗ Do not use as a step ladder

To adjust back height hold back with two hands while seated and raise to desired height

To lower the back height raise back all the way to the top and release slowly

OPTIONAL
ADJUSTABLE ARMS

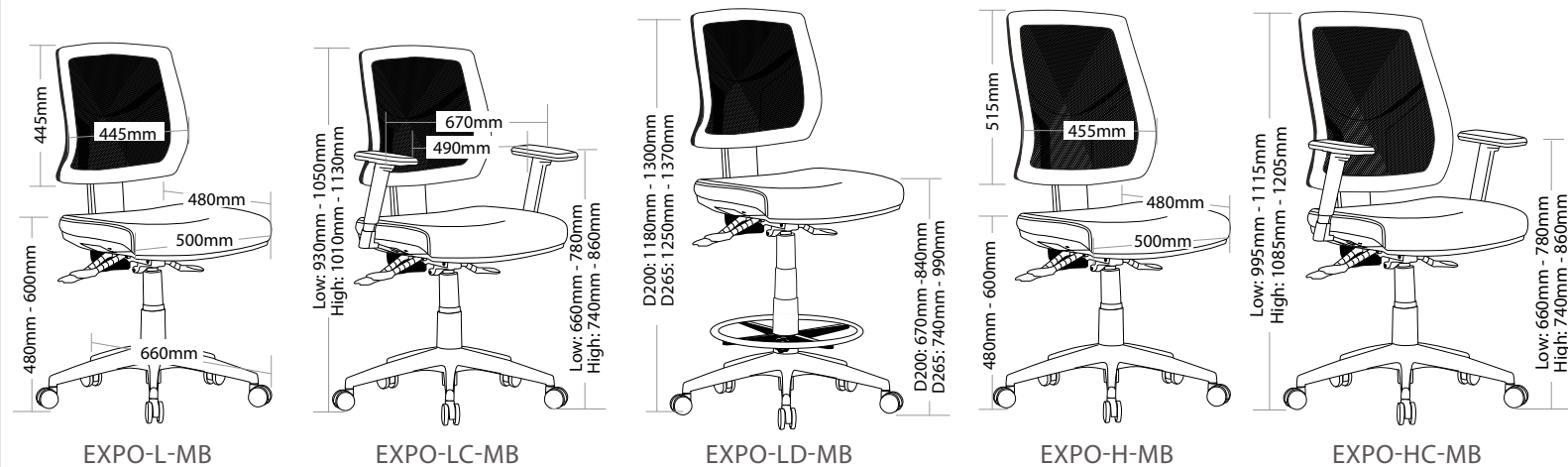
RIGHT BACK LEVER
To adjust back angle

RIGHT FRONT LEVER
To adjust seat height

LEFT LEVER
To adjust seat angle

660MM BLACK NYLON 5 STAR
BASE WITH CASTORS

Use soft tyred castors for tiles
Use hard tyred castors for carpet



EXPO TASK MESH SEATING



EXPO-L-MB



EXPO-LC-MB



EXPO-LD-MB



EXPO-H-MB



EXPO-HC-MB

R1 TASK MESH SEATING

HINO

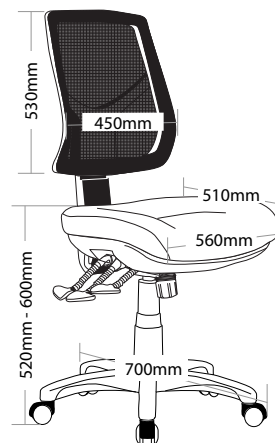
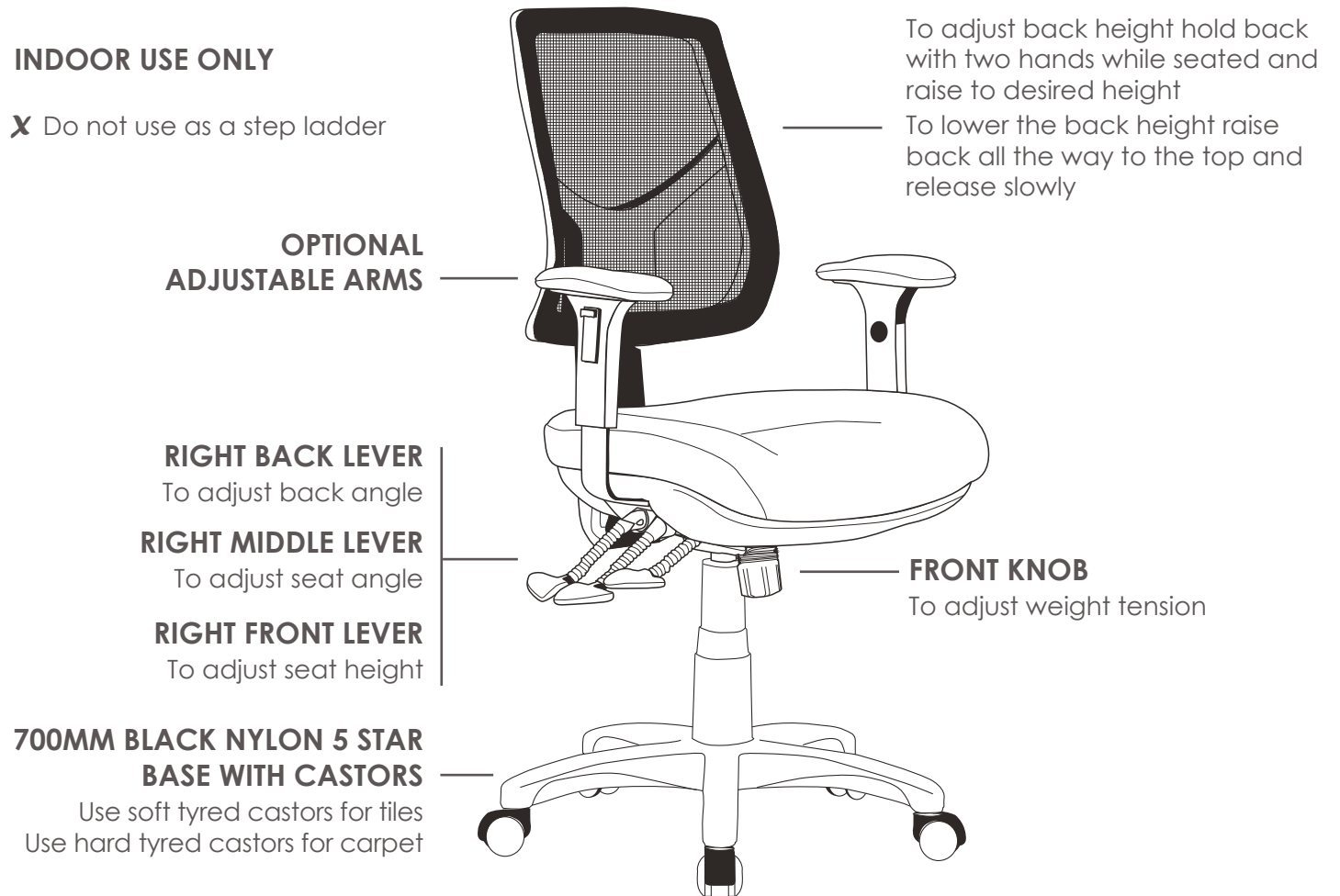


FEATURES

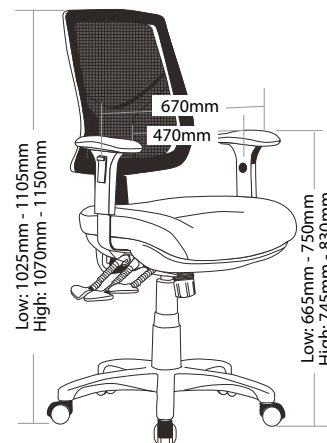
- » Adjustable seat height
- » Adjustable back height (ratchet)
- » Adjustable seat and back angle
- » Adjustable weight tension
- » Optional adjustable arms
- » Moulded seat foam
- » Mega big boy seat
- » Mesh back
- » 3 lever heavy duty ergonomic mechanism
- » 700mm black nylon base
- » Chair not available with drafting kit
- » Available in Metro black only
- » AFRDI tested to level 6
- » Minor assembly required
- » Suitable for indoor use only
- » 7 year warranty
- » Weight limit is 140kg

INDOOR USE ONLY

✗ Do not use as a step ladder



HINO-MB



HINO-C-MB

HINO TASK MESH SEATING



HINO-MB



HINO-C-MB



BACK VIEW

R1 TASK MESH SEATING

BRENT



FEATURES

- » Adjustable seat height
- » Adjustable back height (ratchet)
- » Adjustable back and seat angle
- » Adjustable weight tension
- » Adjustable seat depth (build-in seat slider)
- » Adjustable lumbar support
- » Optional adjustable arms
- » Moulded seat foam
- » Big boy seat
- » Mesh back
- » 3 lever ergonomic heavy duty mechanism
- » 700mm black nylon base
- » Available in Metro black only
- » AFRDI tested to level 6
- » Suitable for indoor use only
- » 7 year warranty
- » Weight limit is 140kg

INDOOR USE ONLY

✗ Do not use as a step ladder

OPTIONAL
ADJUSTABLE ARMS

RIGHT BACK LEVER
To adjust back angle

RIGHT MIDDLE LEVER
To adjust seat angle

RIGHT FRONT LEVER
To adjust seat height

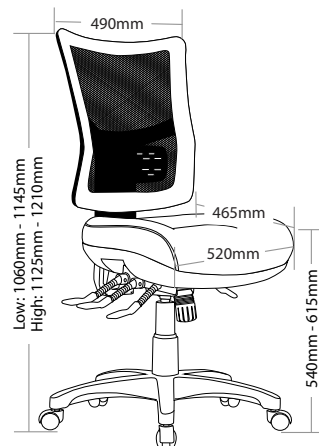
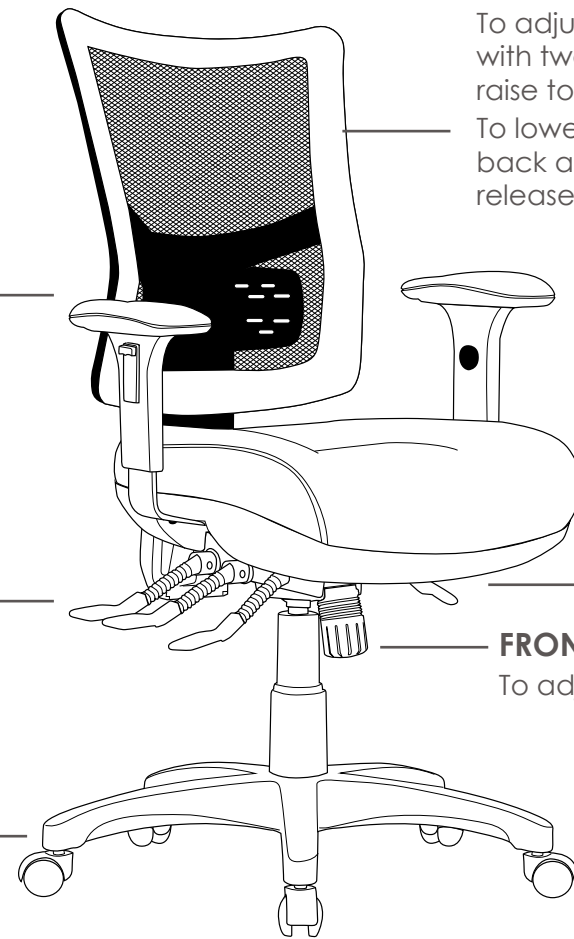
700MM BLACK NYLON 5 STAR
BASE WITH CASTORS

Use soft tyred castors for tiles
Use hard tyred castors for carpet

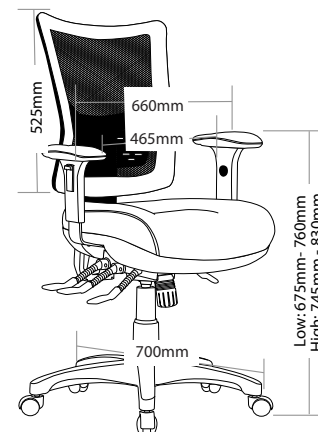
To adjust back height hold back with two hands while seated and raise to desired height
To lower the back height raise back all the way to the top and release slowly

LEFT LEVER
To adjust seat depth
(Build-in seat slider)

FRONT KNOB
To adjust weight tension



BRENT-MB



BRENT-C-MB

BRENT TASK MESH SEATING



BRENT-MB



BRENT-C-MB



BACK VIEW

R2 TASK SEATING

P350



FEATURES

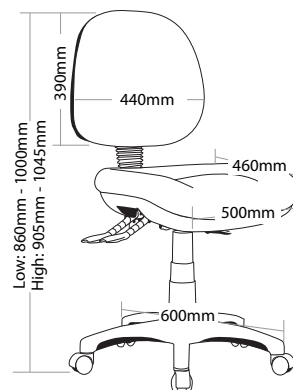
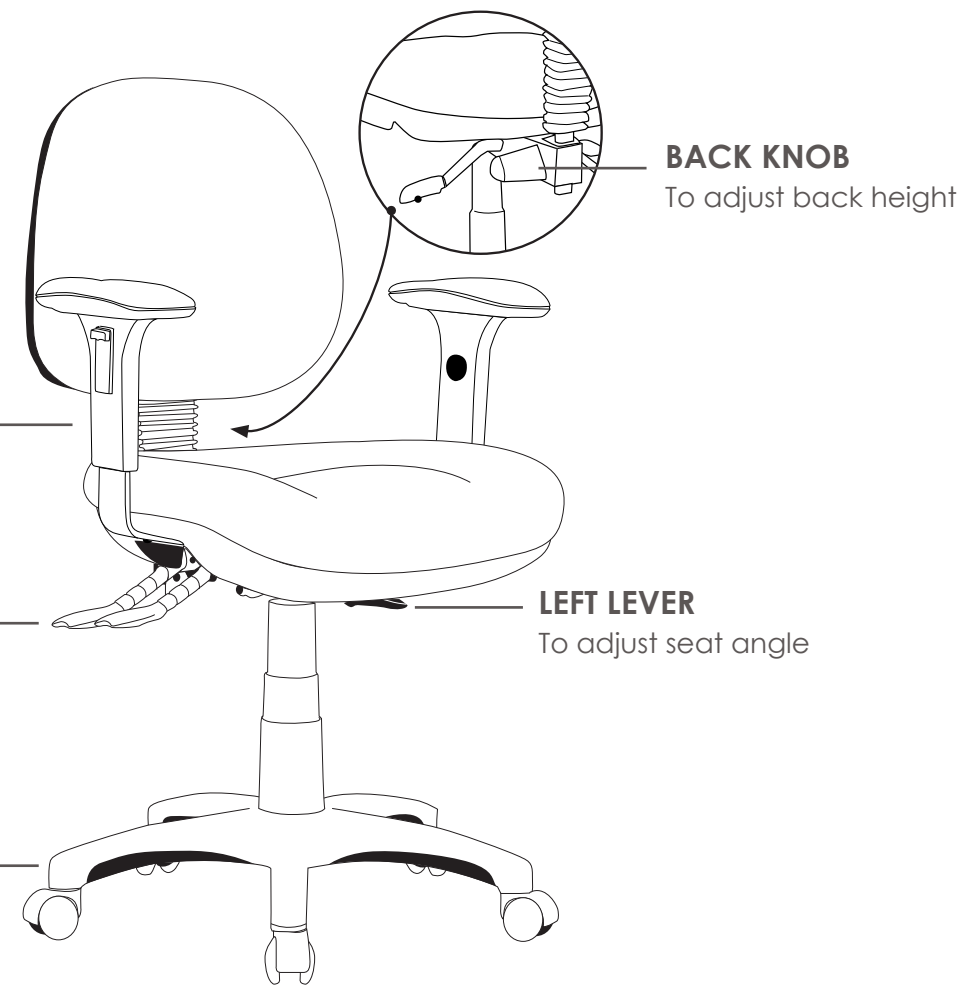
- » Adjustable seat height
- » Adjustable back height
- » Adjustable seat and back angle
- » Optional adjustable arms
- » Optional drafting kit
- » Available in high and low back
- » Moulded seat and back foam
- » Java seat
- » 3 lever ergonomic mechanism
- » 600mm black nylon base
- » Available in Metro black only
- » AFRDI tested to level 6
- » Minor assembly required
- » Suitable for indoor use only
- » 7 year warranty
- » Weight limit is 130kg

INDOOR USE ONLY

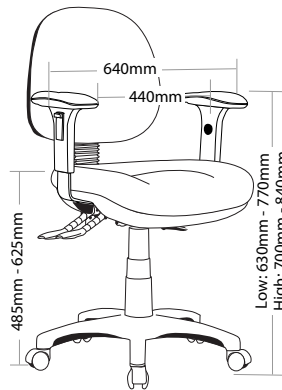
✗ Do not use as a step ladder

600MM BLACK NYLON 5 STAR BASE WITH CASTORS

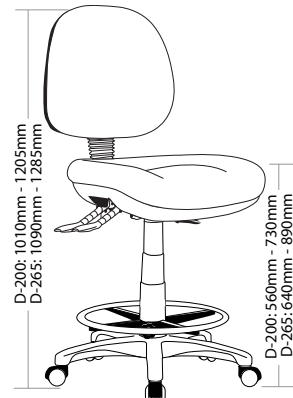
Use soft tyred castors for tiles
Use hard tyred castors for carpet



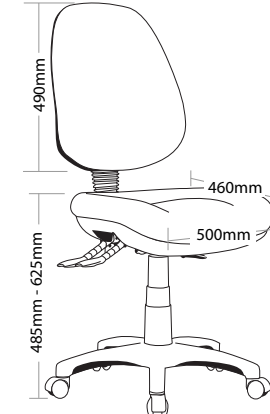
P350-MB



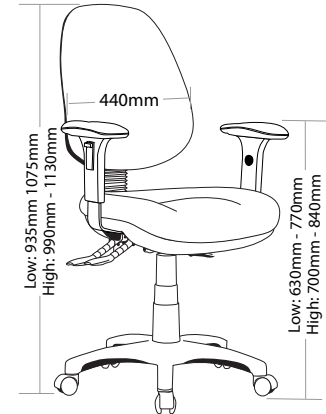
P350C-MB



P350D-MB



P350H-MB



P350HC-MB

P350 TASK SEATING



P350-MB



P350C-MB



P350D-MB



P350H-MB



P350HC-MB

R2 TASK SEATING

AQUA



FEATURES

- » Adjustable seat height
- » Adjustable back height (ratchet)
- » Adjustable seat and back angle
- » Optional adjustable arms
- » Optional drafting kit
- » Available in high and low back
- » Moulded seat and back foam
- » Java seat
- » 3 lever ergonomic mechanism
- » 600mm black nylon base
- » Available in Metro black only
- » AFRDI tested to level 6
- » Minor assembly required
- » Suitable for indoor use only
- » 7 year warranty
- » Weight limit is 130kg

INDOOR USE ONLY

✗ Do not use as a step ladder

To adjust back height hold back with two hands while seated and raise to desired height
To lower the back height raise back all the way to the top and release slowly

OPTIONAL ADJUSTABLE ARMS

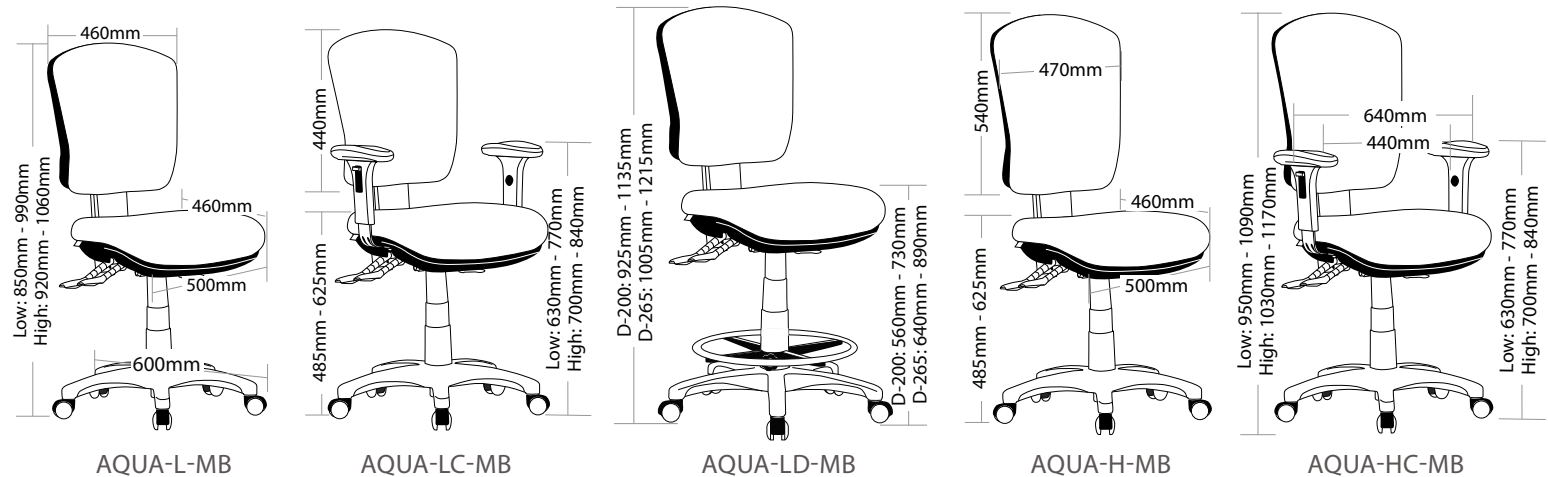
RIGHT BACK LEVER
To adjust back angle

RIGHT FRONT LEVER
To adjust seat height

LEFT LEVER
To adjust seat angle

600MM BLACK NYLON 5 STAR BASE WITH CASTORS

Use soft tyred castors for tiles
Use hard tyred castors for carpet



AQUA TASK SEATING



AQUA-L-MB

AQUA-LC-MB

AQUA-LD-MB

AQUA-H-MB

AQUA-HC-MB

R2 TASK SEATING

CLICK



FEATURES

- » Adjustable seat height
- » Adjustable back height (ratchet)
- » Adjustable seat and back angle
- » Optional adjustable arms
- » Optional drafting kit
- » Available in high and low back
- » Moulded seat and back foam
- » Square seat
- » 3 lever ergonomic mechanism
- » 660mm black nylon base
- » Available in Metro black only
- » AFRDI tested to level 6
- » Minor assembly required
- » Suitable for indoor use only
- » 7 year warranty
- » Weight limit is 130kg

INDOOR USE ONLY

✗ Do not use as a step ladder

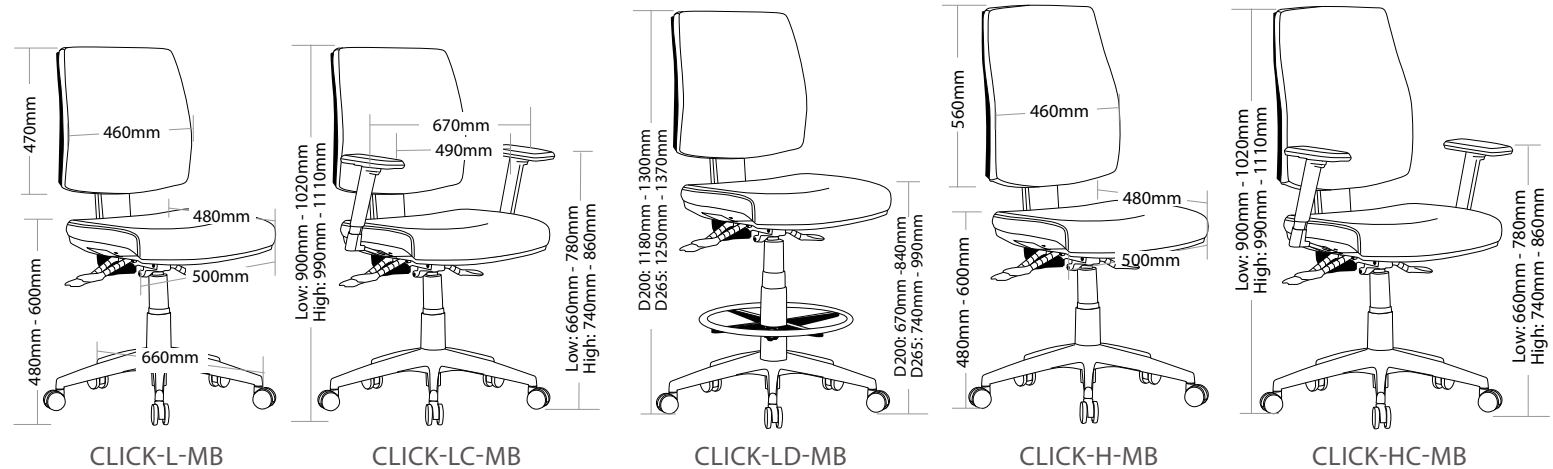
To adjust back height hold back with two hands while seated and raise to desired height
To lower the back height raise back all the way to the top and release slowly

OPTIONAL ADJUSTABLE ARMS

RIGHT BACK LEVER
To adjust back angle
RIGHT FRONT LEVER
To adjust seat height

LEFT LEVER
To adjust seat angle

660MM BLACK NYLON 5 STAR BASE WITH CASTORS
Use soft tyred castors for tiles
Use hard tyred castors for carpet



CLICK TASK SEATING



CLICK-L-MB



CLICK-LC-MB



CLICK-LD-MB



CLICK-H-MB



CLICK-HC-MB

R2 TASK SEATING

TR600

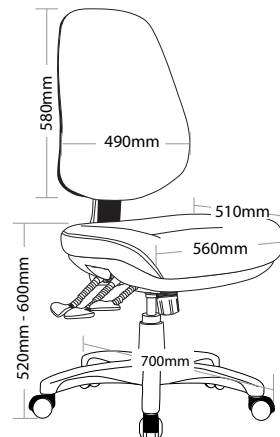
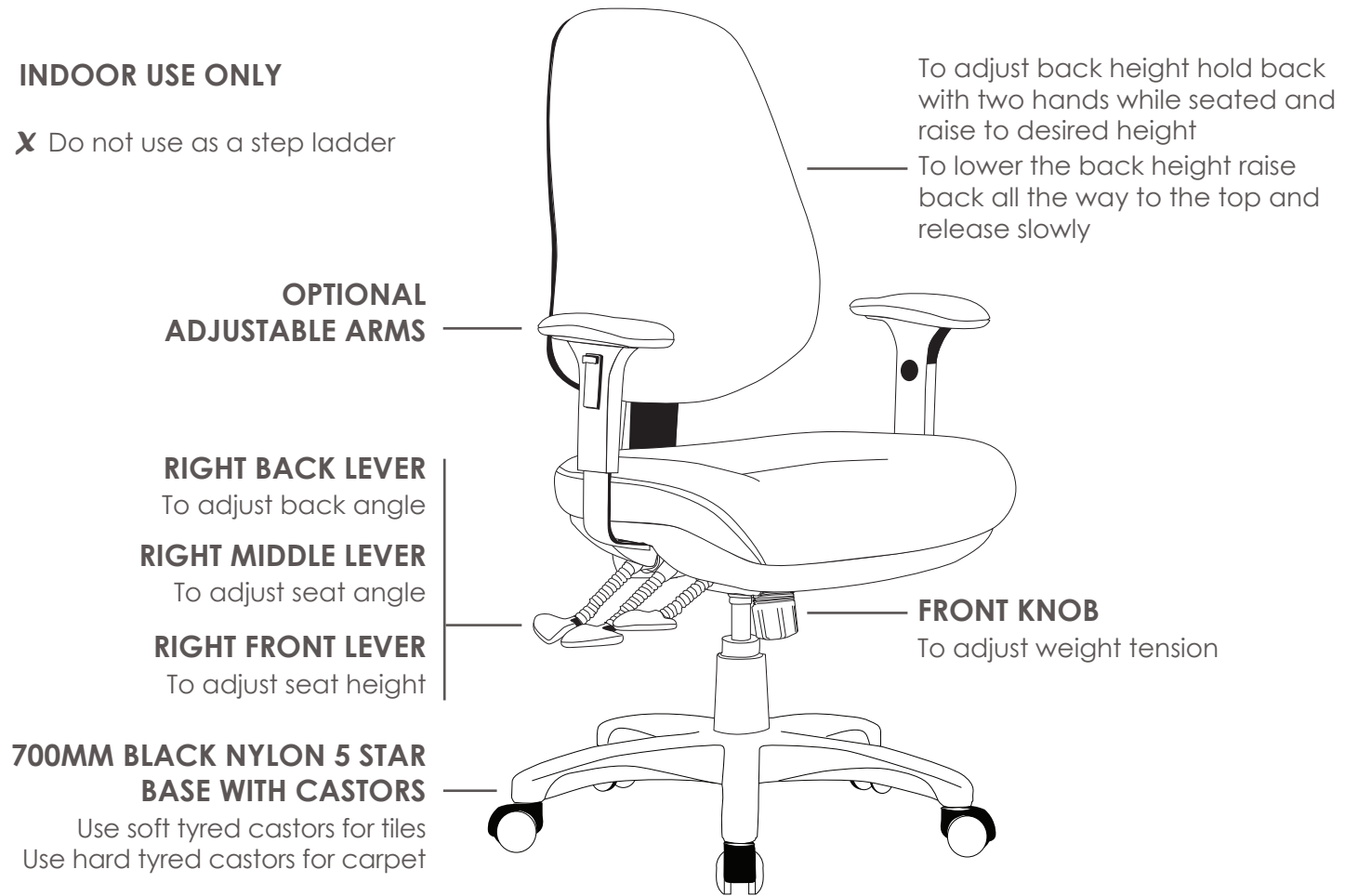


FEATURES

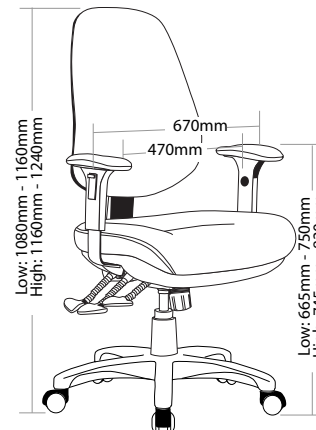
- » Adjustable seat height
- » Adjustable back height (ratchet)
- » Adjustable seat and back angle
- » Adjustable weight tension
- » Optional adjustable arms
- » Moulded seat and back foam
- » Mega big boy seat
- » 3 lever heavy duty ergonomic mechanism
- » 700mm black nylon base
- » Chair not available with drafting kit
- » Available in Metro black only
- » AFRDI tested to level 6
- » Minor assembly required
- » Suitable for indoor use only
- » 7 year warranty
- » Weight limit is 140kg

INDOOR USE ONLY

✗ Do not use as a step ladder



TR600-MB



TR600-C-MB

TR600 TASK SEATING



TR600-MB



TR600-C-MB



BACK VIEW

R2 TASK SEATING

SPOT



FEATURES

- » Adjustable seat height
- » Adjustable back height (ratchet)
- » Adjustable seat and back angle
- » Adjustable weight tension
- » Optional adjustable arms
- » Moulded seat and back foam
- » Mega big boy seat
- » 3 lever heavy duty ergonomic mechanism
- » 700mm black nylon base
- » Chair not available with drafting kit
- » Available in Metro black only
- » AFRDI tested to level 6
- » Minor assembly required
- » Suitable for indoor use only
- » 7 year warranty
- » Weight limit is 140kg

INDOOR USE ONLY

X Do not use as a step ladder

OPTIONAL ADJUSTABLE ARMS

RIGHT BACK LEVER

To adjust back angle

RIGHT MIDDLE LEVER

To adjust seat angle

RIGHT FRONT LEVER

To adjust seat height

700MM BLACK NYLON 5 STAR BASE WITH CASTORS

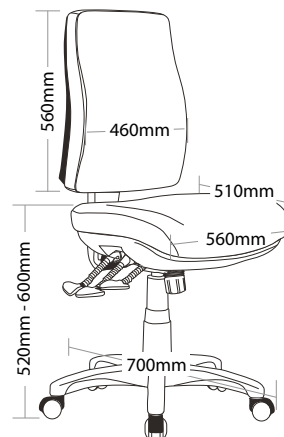
Use soft tyred castors for tiles
Use hard tyred castors for carpet

To adjust back height hold back with two hands while seated and raise to desired height

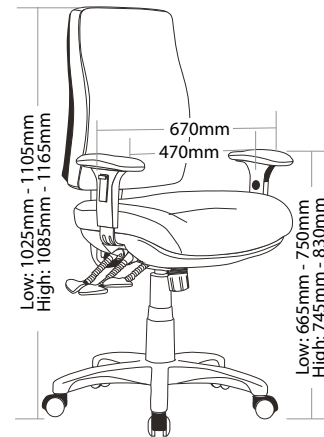
To lower the back height raise back all the way to the top and release slowly

FRONT KNOB

To adjust weight tension



SPOT-MB



SPOT-C-MB

SPOT TASK SEATING



SPOT-MB



SPOT-C-MB



BACKVIEW

R3 BOARDROOM SEATING

CAPRI

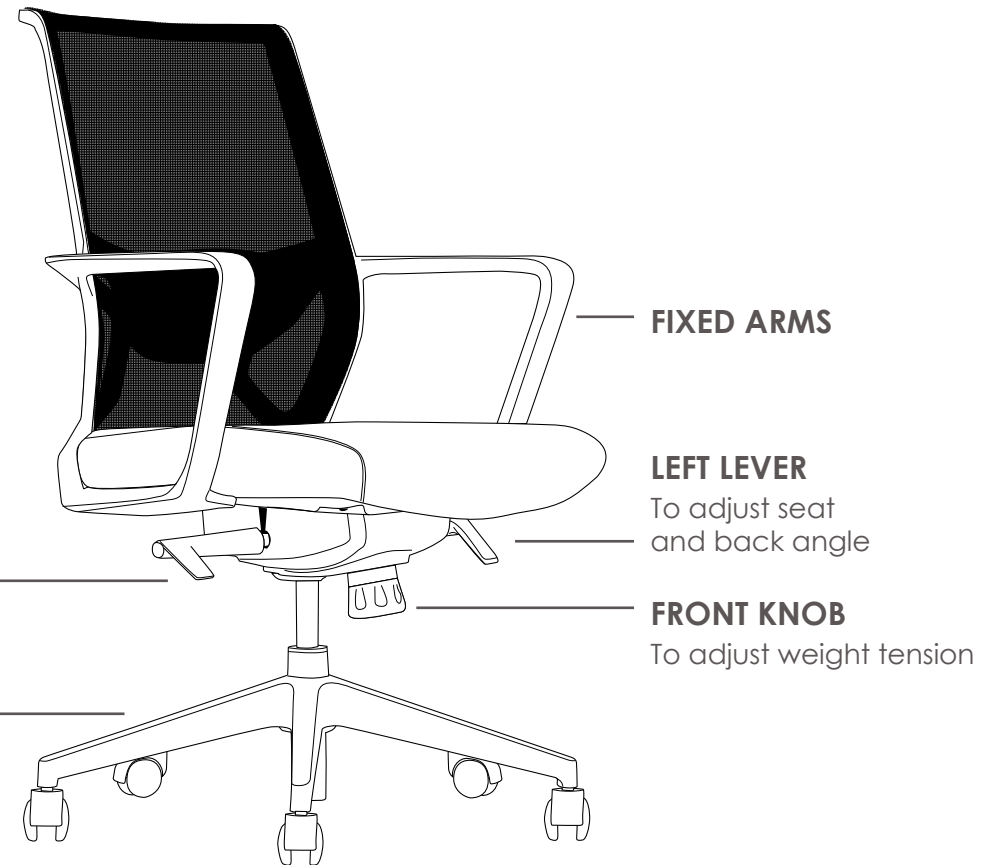


FEATURES

- » Adjustable seat height
- » Adjustable seat and back angle
- » Adjustable weight tension
- » Fixed arms
- » Mesh back
- » Knee tilt mechanism with 3 locking positions
- » 680mm black nylon 5 star base
- » Available in black only
- » Minor assembly required
- » Suitable for indoor use only
- » 3 year warranty
- » Weight limit is 120kg

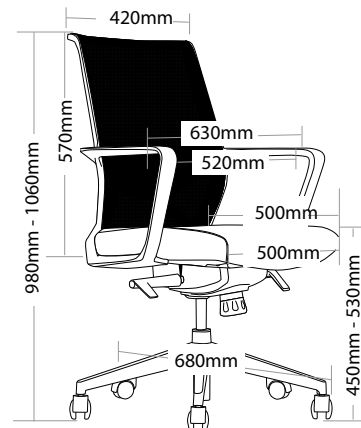
INDOOR USE ONLY

X Do not use as a step ladder



680MM BLACK NYLON 5 STAR BASE WITH CASTORS

Use soft tyred castors for tiles
Use hard tyred castors for carpet



CAPRI

CAPRI BOARDROOM SEATING



CAPRI



BACK VIEW



SIDE VIEW

R3 BOARDROOM SEATING

GALA

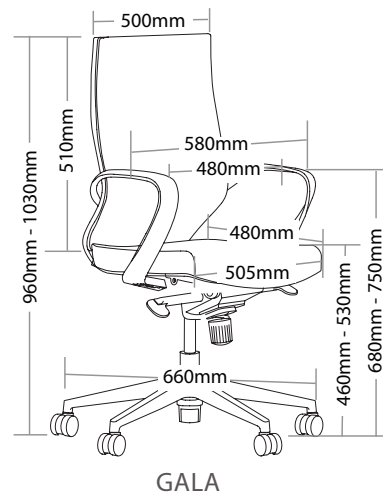
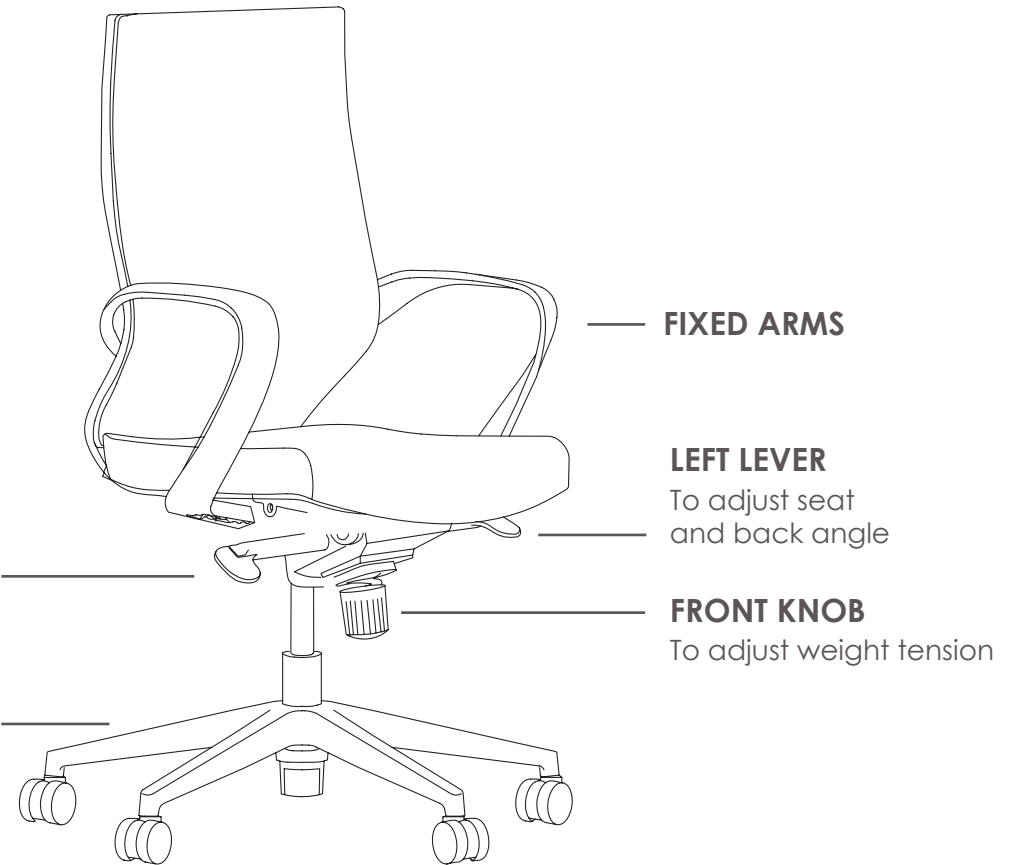


FEATURES

- » Adjustable seat height
- » Adjustable seat and back angle
- » Adjustable weight tension
- » Fixed arms
- » Mesh black
- » Knee tilt mechanism with 3 locking positions
- » 660mm black nylon base
- » Available in black only
- » Minor assembly required
- » Suitable for indoor use only
- » 5 year warranty
- » Weight limit is 120kg

INDOOR USE ONLY

X Do not use as a step ladder



GALA BOARDROOM SEATING



GALA



BACK VIEW



SIDE VIEW

R3 BOARDROOM SEATING

CHEVY

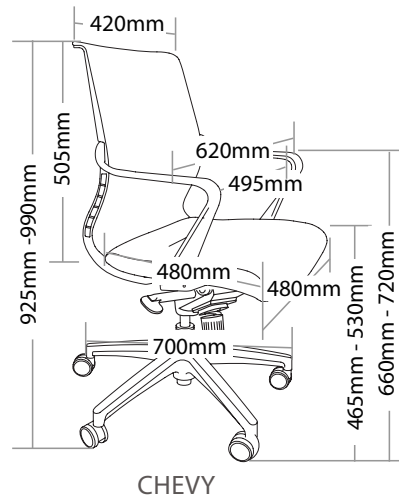
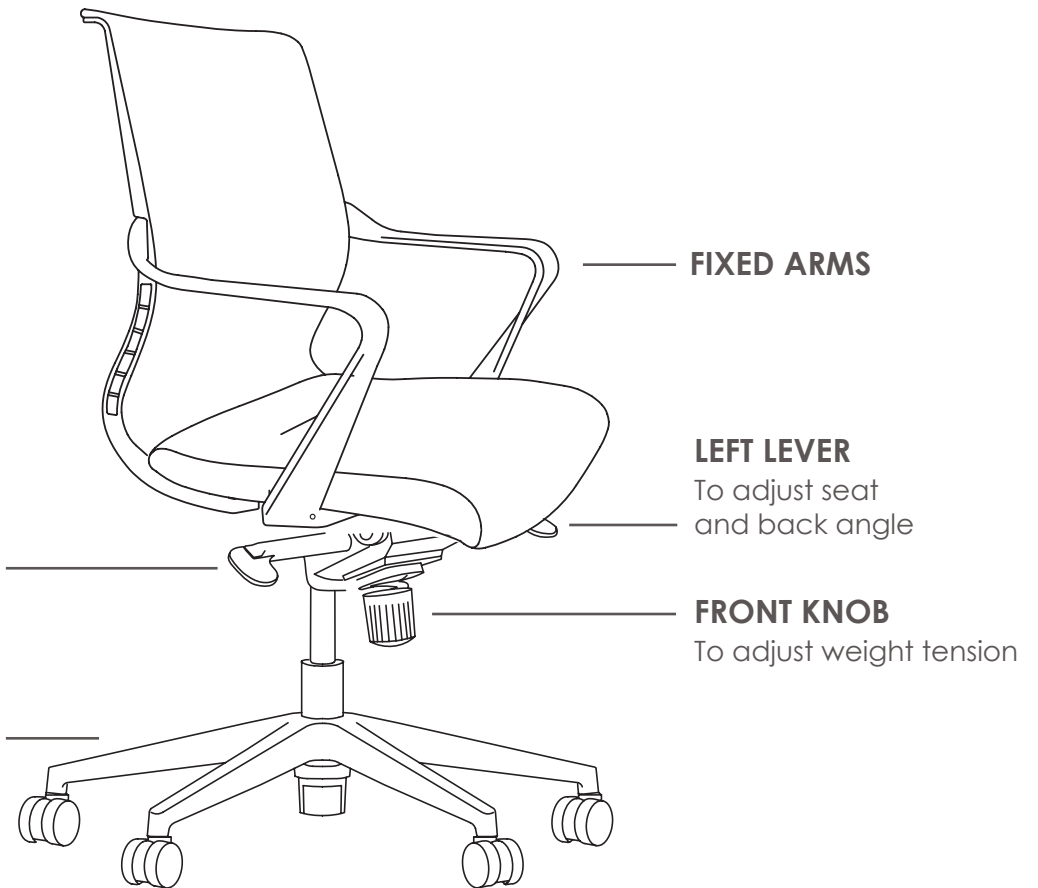


FEATURES

- » Adjustable seat height
- » Adjustable seat and back angle
- » Adjustable weight tension
- » Fixed arms
- » Mesh back
- » Knee tilt mechanism with 3 locking positions
- » 700mm black nylon base
- » Available in black only
- » Minor assembly required
- » Suitable for indoor use only
- » 5 year warranty
- » Weight limit is 120kg

INDOOR USE ONLY

X Do not use as a step ladder



CHEVY BOARDROOM SEATING



CHEVY



BACK VIEW



SIDE VIEW

R3 BOARDROOM SEATING

WEB



FEATURES

- » Adjustable seat height
- » Adjustable seat and back angle
- » Adjustable weight tension
- » Fixed chrome arms
- » Knee tilt mechanism with 3 locking positions
- » 700mm aluminium base
- » Available in black PU only
- » Minor assembly required
- » Suitable for indoor use only
- » 5 year warranty
- » Weight limit is 120kg

INDOOR USE ONLY

X Do not use as a step ladder

FIXED CHROME ARMS

RIGHT LEVER

To adjust seat height

LEFT LEVER

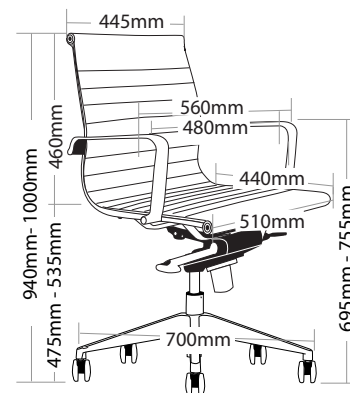
To adjust seat and back angle

FRONT KNOB

To adjust weight tension

700MM ALUMINIUM 5 STAR BASE WITH CASTORS

Use soft tyred castors for tiles
Use hard tyred castors for carpet



WEB-LB

WEB BOARDROOM SEATING



WEB-LB



SIDE VIEW



BACK VIEW

R3 BOARDROOM SEATING

VOLT



FEATURES

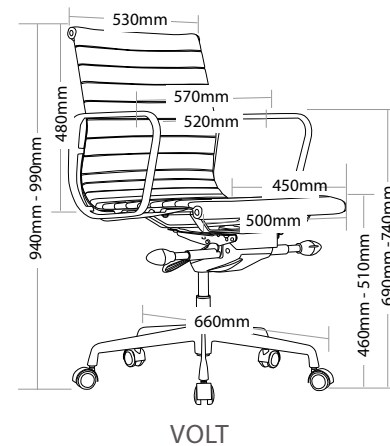
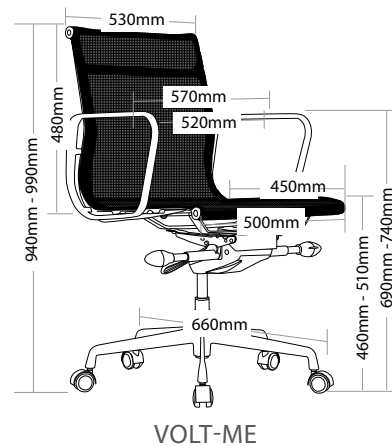
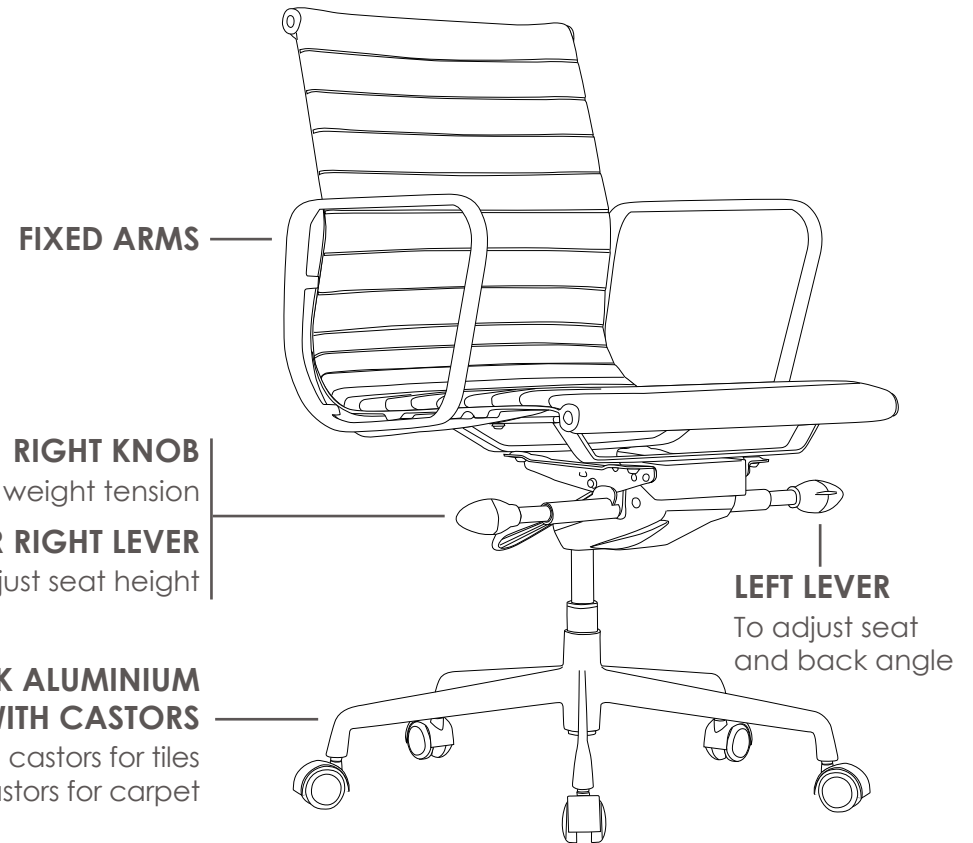
- » Adjustable seat height
- » Adjustable seat and back angle
- » Adjustable weight tension
- » Fixed arms
- » Knee tilt mechanism with 3 locking positions
- » 660mm heavy duty black aluminium base
- » Black powder coated frame
- » Available in black mesh, terracotta PU, tan PU and black PU
- » Minor assembly required
- » Suitable for indoor use only
- » 5 year warranty
- » Weight limit is 130kg

COLOUR



INDOOR USE ONLY

X Do not use as a step ladder



VOLT BOARDROOM SEATING



VOLT-ME



VOLT-TE



VOLT-TA



VOLT-BL

R4 MULTI SHIFT SEATING

SIREN



FEATURES

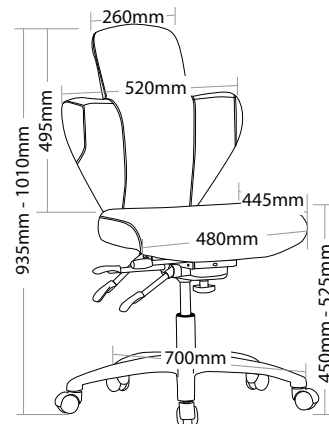
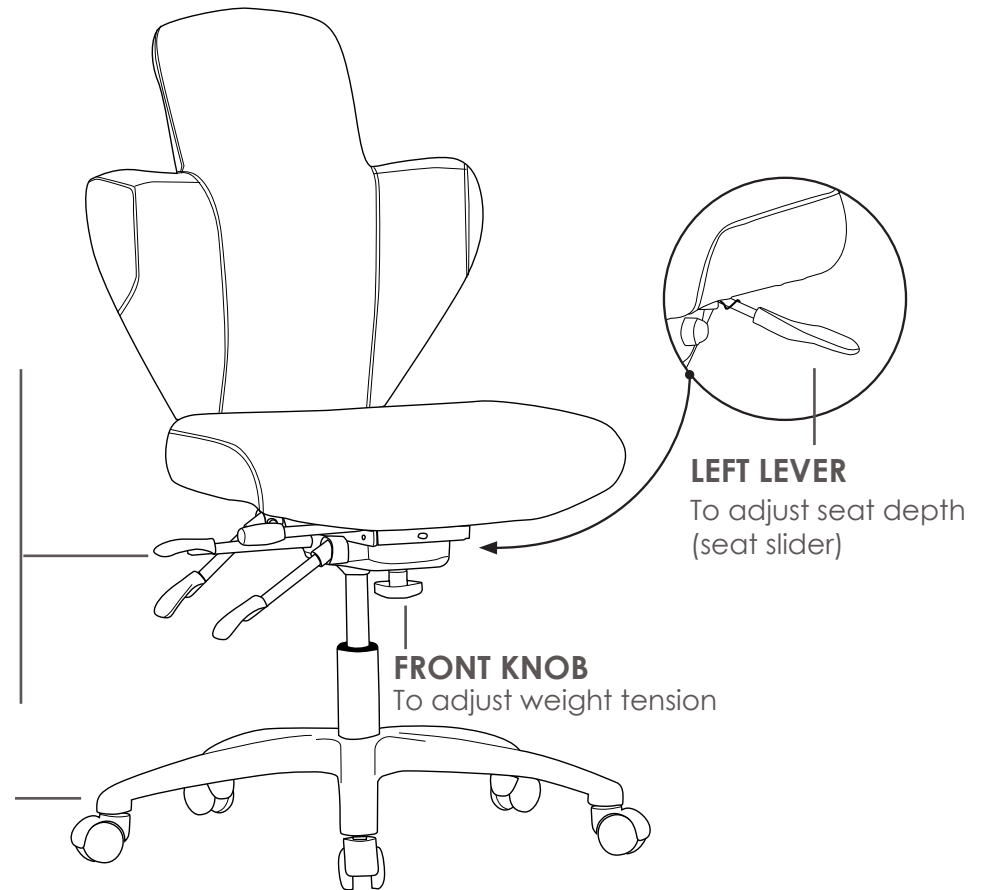
- » Adjustable seat height
- » Adjustable seat and back angle
- » Adjustable seat depth (seat slider)
- » Adjustable weight tension
- » 700mm aluminium base
- » Available in black PU only
- » Minor assembly required
- » Suitable for indoor use only
- » 5 year warranty
- » Weight limit is 140kg

INDOOR USE ONLY

✘ Do not use as a step ladder

- 4TH RIGHT LEVER**
To adjust back angle
- 3RD RIGHT LEVER**
To adjust seat height
- 2ND RIGHT LEVER**
To adjust seat angle (backwards)
- 1ST RIGHT KNOB**
To adjust seat angle (forwards)

700MM ALUMINIUM 5 STAR BASE WITH CASTORS
Use soft tyred castors for tiles
Use hard tyred castors for carpet



SIREN

SIREN MULTI SHIFT SEATING



SIREN



BACK VIEW



SIDE VIEW

R4 MULTI SHIFT SEATING

LOGAN

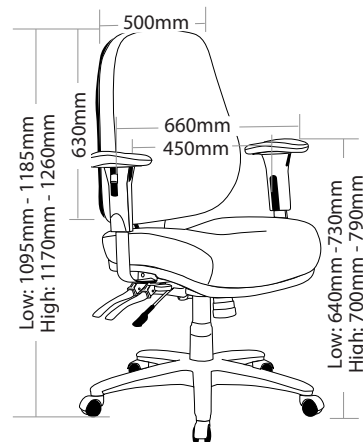
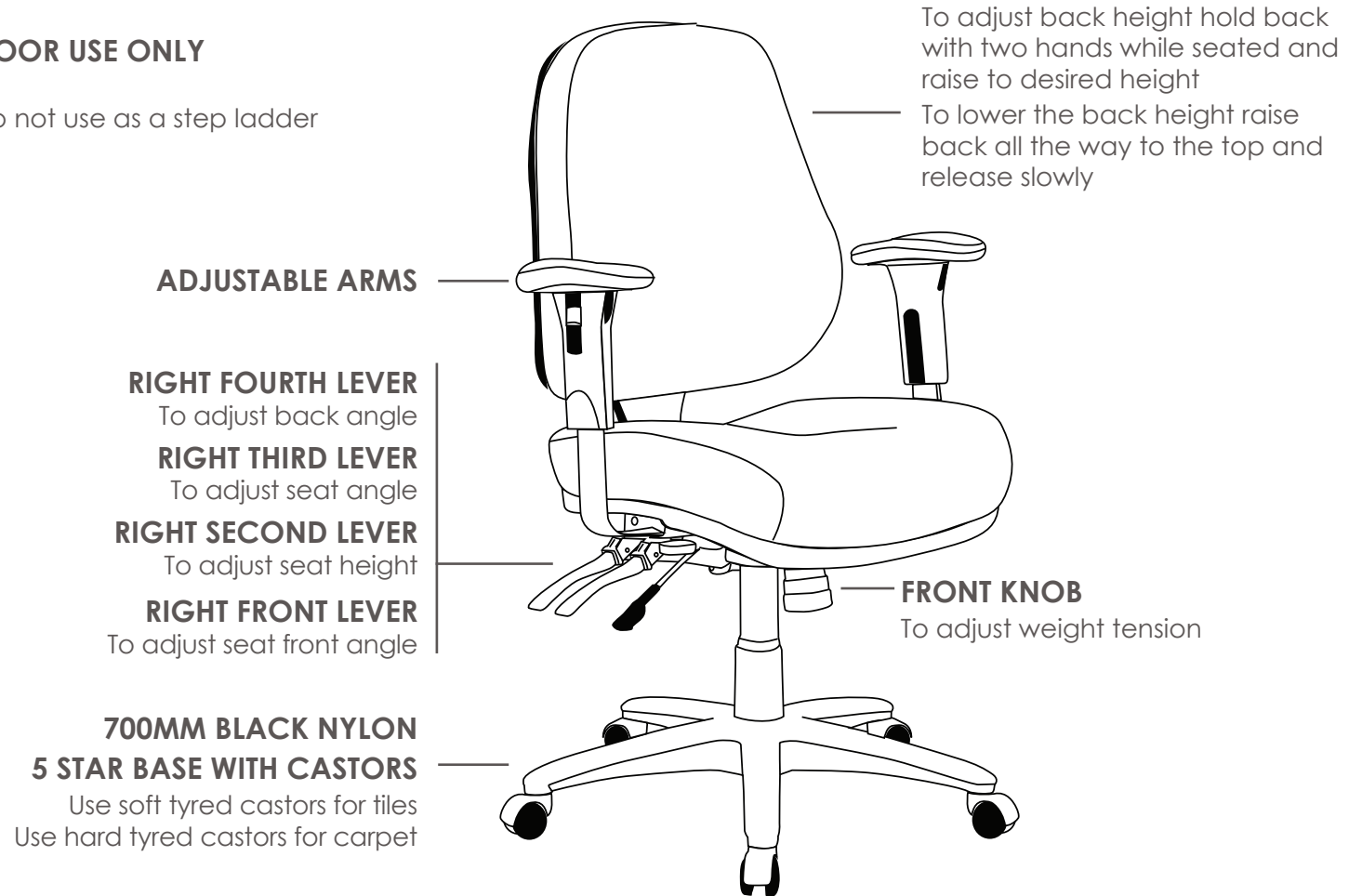


FEATURES

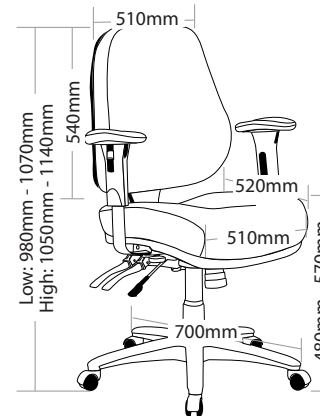
- » Adjustable seat height
- » Adjustable back height (ratchet)
- » Adjustable seat and back angle
- » Adjustable weight tension
- » Adjustable arms
- » Available in high and low back
- » Moulded seat and back foam
- » 4 lever ergonomic mechanism
- » 700mm black nylon base
- » Available in black only
- » Minor assembly required
- » Suitable for indoor use only
- » 10 year warranty
- » Weight limit is 140kg

INDOOR USE ONLY

✘ Do not use as a step ladder



LOGAN-H



LOGAN-L

LOGAN MULTI SHIFT SEATING



LOGAN-H



LOGAN-L



BACK VIEW

R4 MULTI SHIFT SEATING

OYSTER



FEATURES

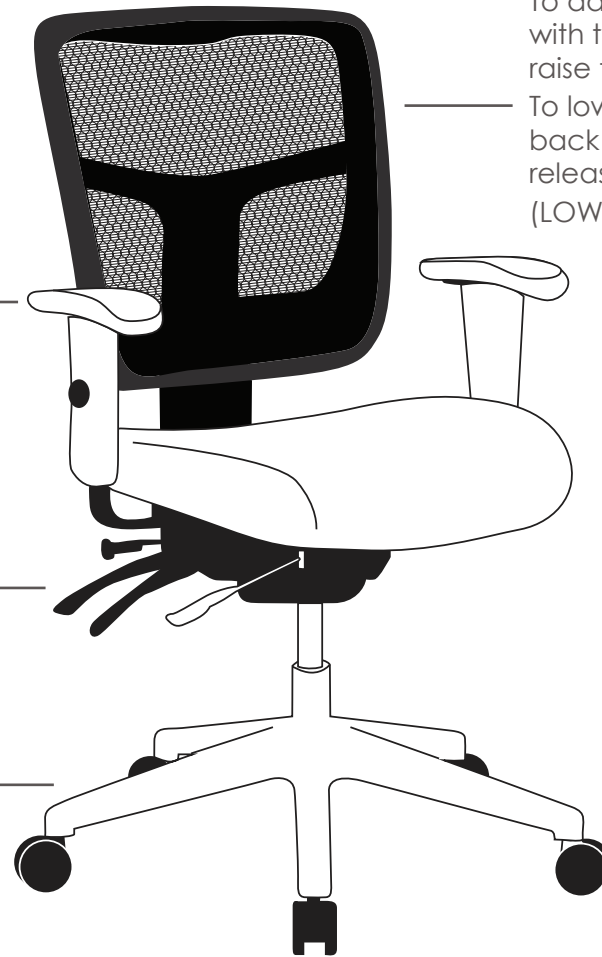
- » Adjustable seat height
- » Adjustable back height (ratchet) (available in low back only)
- » Adjustable seat and back angle
- » Adjustable seat depth (seat slider)
- » Adjustable arms
- » Available in high, medium and low back
- » Moulded seat foam
- » Mesh back
- » 4 lever ergonomic mechanism
- » 700mm aluminium base
- » Available in black only
- » Minor assembly required
- » Suitable for indoor use only
- » 10 year warranty
- » Weight limit is 140kg

INDOOR USE ONLY

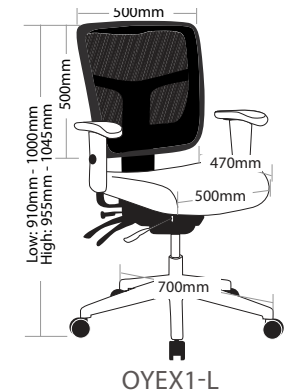
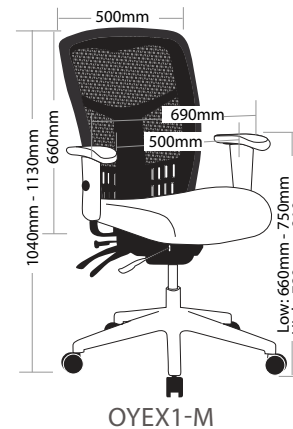
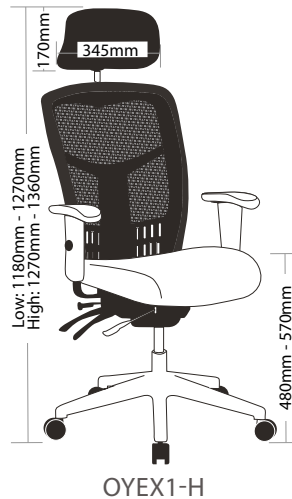
✗ Do not use as a step ladder

- ADJUSTABLE ARMS**
- RIGHT BACK KNOB**
To adjust seat depth (seat slider)
- RIGHT BACK LEVER**
To adjust back angle
- RIGHT MIDDLE LEVER**
To adjust seat angle
- RIGHT FRONT LEVER**
To adjust seat height

700MM ALUMINIUM 5 STAR BASE WITH CASTORS
Use soft tyred castors for tiles
Use hard tyred castors for carpet



To adjust back height hold back with two hands while seated and raise to desired height
To lower the back height raise back all the way to the top and release slowly (LOW BACK ONLY)



OYSTER MULTI SHIFT SEATING



OYEX1-H



OYEX1-M



OYEX1-L

** Please note that the Headrest should not be used to manoeuvre the chair.*

R4 MULTI SHIFT SEATING

ROVER

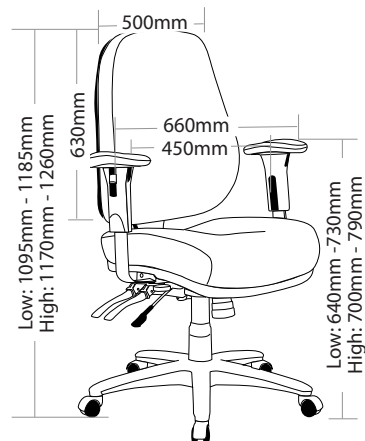


FEATURES

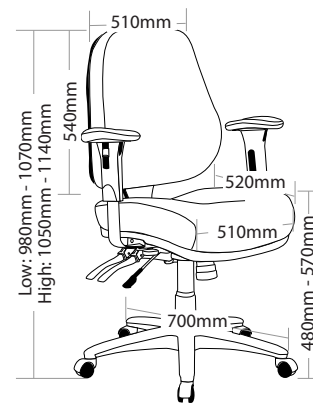
- » Adjustable seat height
- » Adjustable back height (ratchet)
- » Adjustable seat and back angle
- » Adjustable weight tension
- » Adjustable arms
- » Available in high and low back
- » Moulded seat and back foam
- » 4 lever ergonomic mechanism
- » 700mm black nylon base
- » Available in black leather only
- » Minor assembly required
- » Suitable for indoor use only
- » 10 year warranty
- » Weight limit is 140kg

INDOOR USE ONLY

✘ Do not use as a step ladder



ROVER-1HA



ROVER-1LA

ROVER MULTI SHIFT SEATING



ROVER-1HA



ROVER-1LA



BACK VIEW

R4 MULTI SHIFT SEATING

RANGER



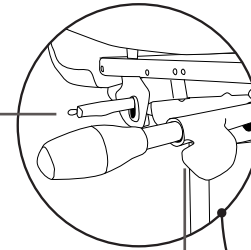
FEATURES

- » Adjustable seat height
- » Adjustable seat and back angle
- » Adjustable seat depth (seat slider)
- » Adjustable weight tension
- » Adjustable headrest
- » Adjustable arms
- » Moulded seat and back foam
- » Saddle seat
- » Double steel strengthened for both seat and back
- » Synchron mechanism with 3 locking positions
- » 720mm aluminium base
- » Available in black and grey only
- » AFRDI tested to level 6
- » AFRDI tested to multi shift use 160kg
- » Minor assembly required
- » Suitable for indoor use only
- » 7 year warranty
- » Weight limit is 160kg

INDOOR USE ONLY

✗ Do not use as a step ladder

INNER BACK LEVER
To adjust seat angle
(Forwards)



INNER RIGHT LEVER
To adjust seat height

RIGHT KNOB
To adjust weight tension

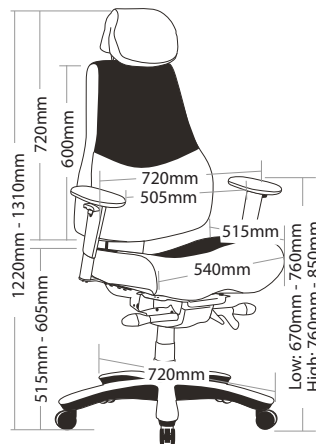
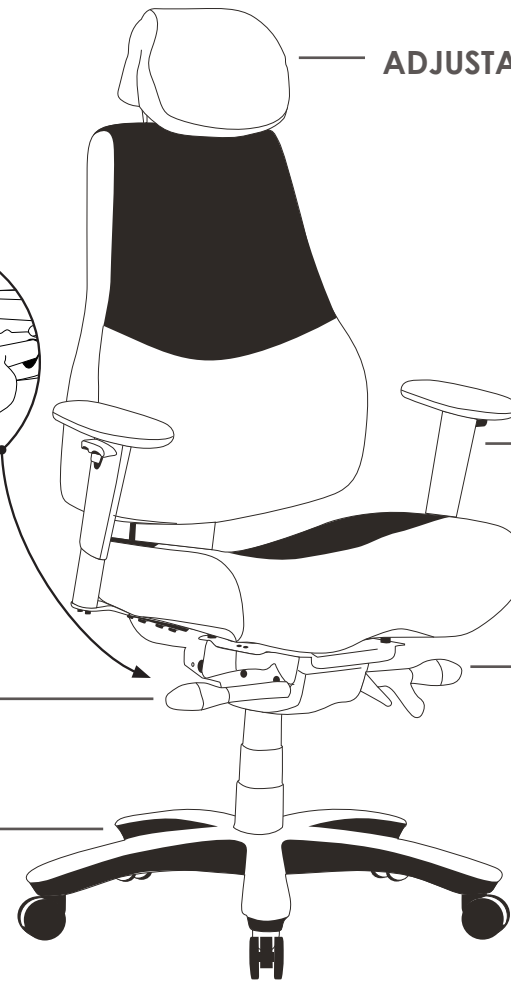
**720MM ALUMINIUM
5 STAR BASE WITH CASTORS**
Use soft tyred castors for tiles
Use hard tyred castors for carpet

ADJUSTABLE HEADREST

ADJUSTABLE ARMS

LEFT KNOB
To adjust seat and
back angle

INNER LEFT LEVER
To adjust seat depth
(seat slider)



RANGER

RANGER MULTI SHIFT SEATING



RANGER



BACK VIEW



SIDE VIEW

** Please note that the Headrest should not be used to manoeuvre the chair.*

R4 MULTI SHIFT SEATING

IMPACT



FEATURES

- » Adjustable seat height
- » Adjustable seat and back angle
- » Adjustable seat depth (seat slider)
- » Adjustable weight tension
- » Adjustable lumbar support
- » Optional headrest
- » Adjustable arms
- » Moulded seat and back foam
- » Saddle seat
- » Double steel strengthened for both seat and back
- » Synchron mechanism with 3 locking positions
- » 720mm aluminium base
- » Brake castors
- » AFRDI tested to level 6
- » Multi shift use 200kg
- » Available in black only
- » Minor assembly required
- » Suitable for indoor use only
- » 7 year warranty
- » Weight limit is 200kg

INDOOR USE ONLY

✗ Do not use as a step ladder

INNER BACK LEVER
To adjust seat angle
(Forwards)

INNER RIGHT LEVER
To adjust seat height

BACK KNOB
To adjust lumbar

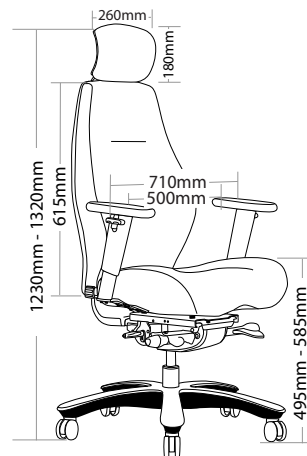
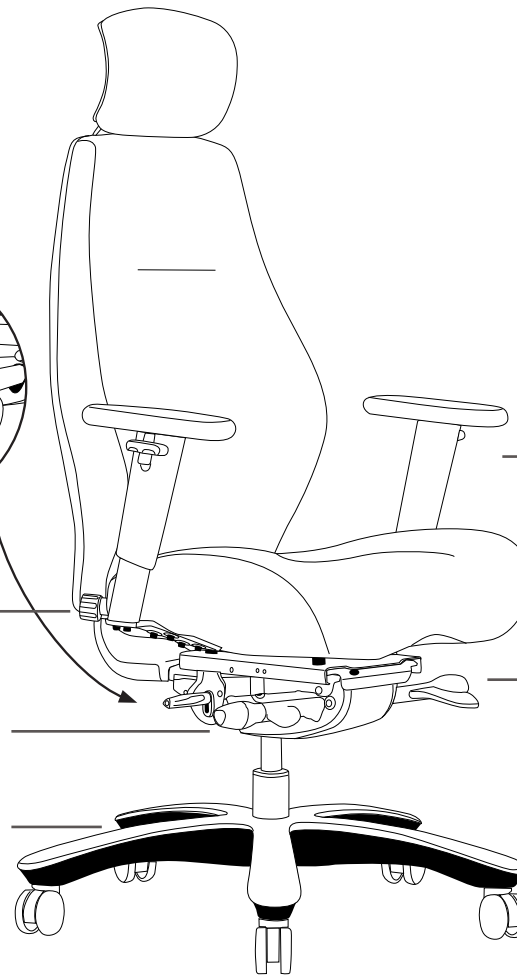
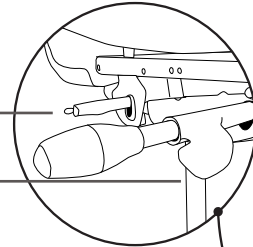
RIGHT KNOB
To adjust weight tension

**720MM ALUMINIUM
5 STAR BASE WITH BRAKE CASTORS**
Use soft tyred castors for tiles
Use hard tyred castors for carpet

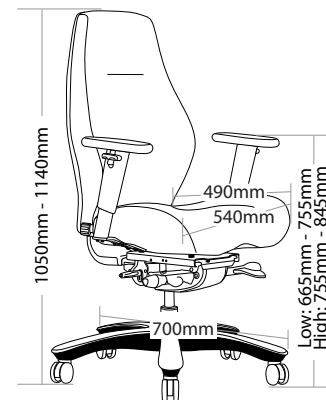
ADJUSTABLE ARMS

LEFT KNOB
To adjust seat and
back angle

INNER LEFT LEVER
To adjust seat depth
(seat slider)



IMPACT-H



IMPACT-L

IMPACT MULTI SHIFT SEATING



IMPACT-H

ADJUSTABLE LUMBAR



IMPACT-L



BACK VIEW

** Please note that the Headrest should not be used to manoeuvre the chair.*

R5 EXECUTIVE MESH SEATING

GIBBS

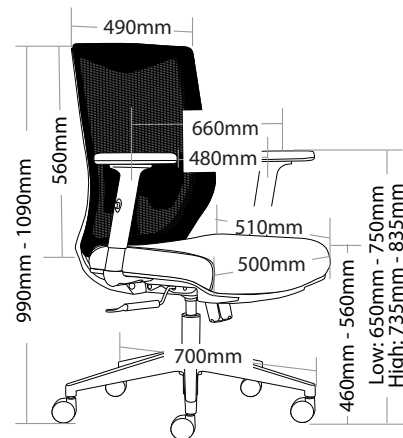
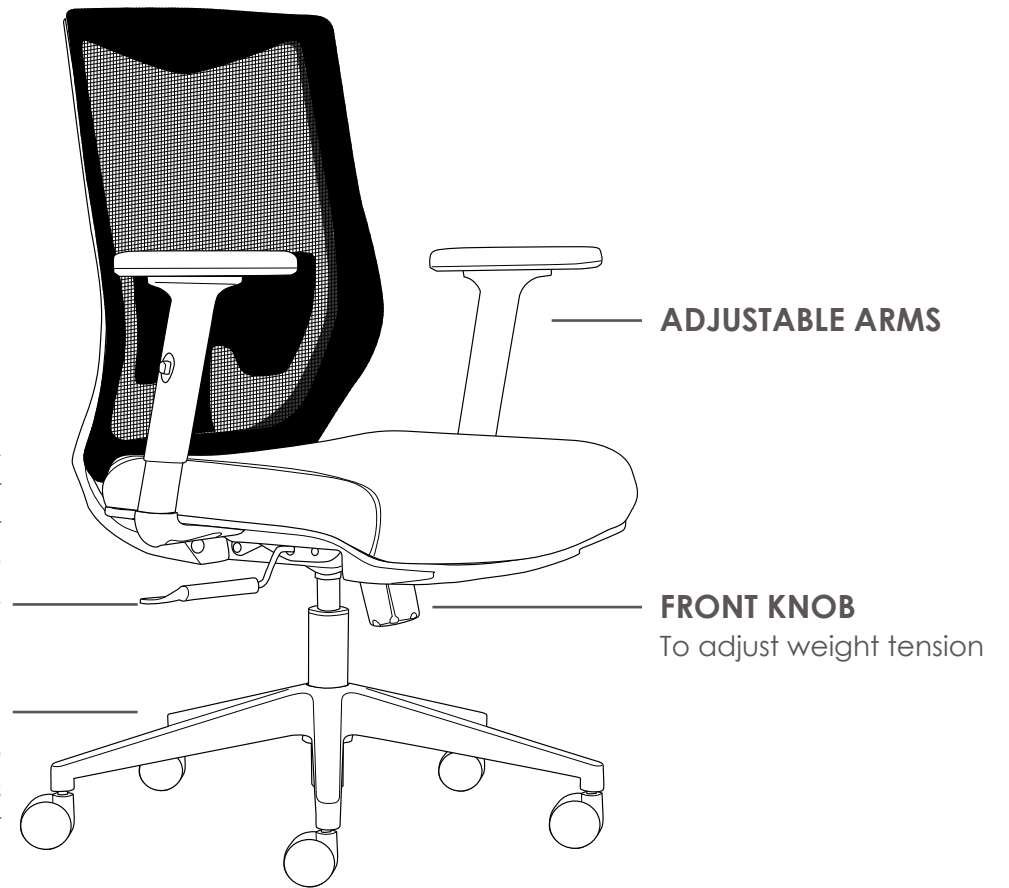


FEATURES

- » Adjustable seat height
- » Adjustable seat and back angle
- » Adjustable weight tension
- » Adjustable arms
- » Lumbar support
- » Butterfly mechanism
- » 700mm black nylon 5 star base
- » Minor assembly required
- » Suitable for indoor use only
- » 4 year warranty
- » Weight limit is 120kg

INDOOR USE ONLY

X Do not use as a step ladder



GIBBS

GIBBS EXECUTIVE MESH SEATING



GIBBS



BACK VIEW



FRONT VIEW

R5 EXECUTIVE MESH SEATING

BOLT

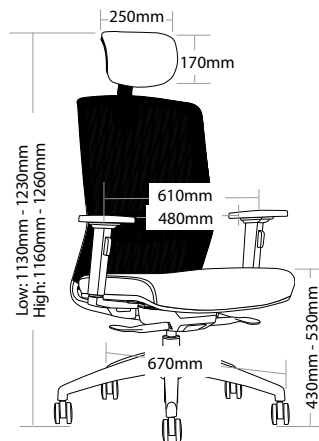
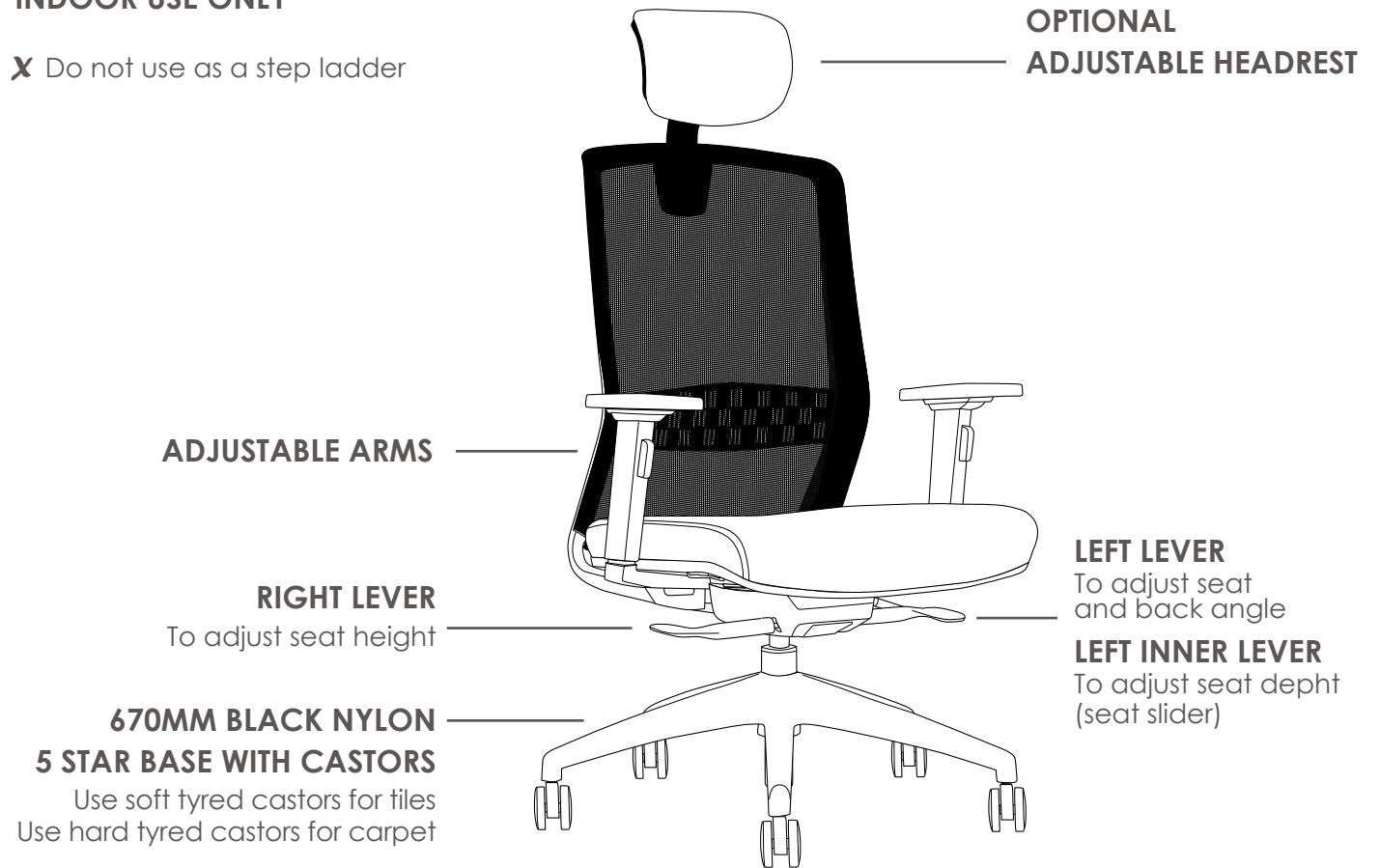


FEATURES

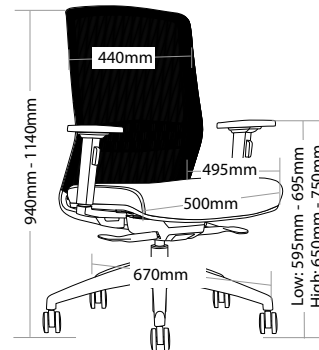
- » Adjustable seat height
- » Adjustable seat and back angle
- » Adjustable seat depth (seat slider)
- » Adjustable lumbar support
- » Adjustable arms
- » Auto weight tensioning
- » Optional adjustable headrest
- » Synchron mechanism with 3 locking positions
- » 670mm black nylon 5 star base
- » Available in black only
- » Suitable for indoor use only
- » 4 year warranty
- » Weight limit is 120kg

INDOOR USE ONLY

X Do not use as a step ladder



BOLT-H



BOLT-L

BOLT EXECUTIVE MESH SEATING



BOLT-H



BOLT-L



BACK VIEW

** Please note that the Headrest should not be used to manoeuvre the chair.*

R5 EXECUTIVE MESH SEATING

KUBE

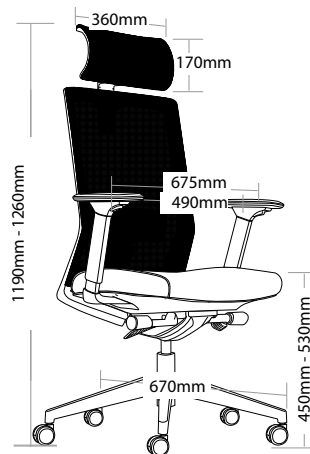
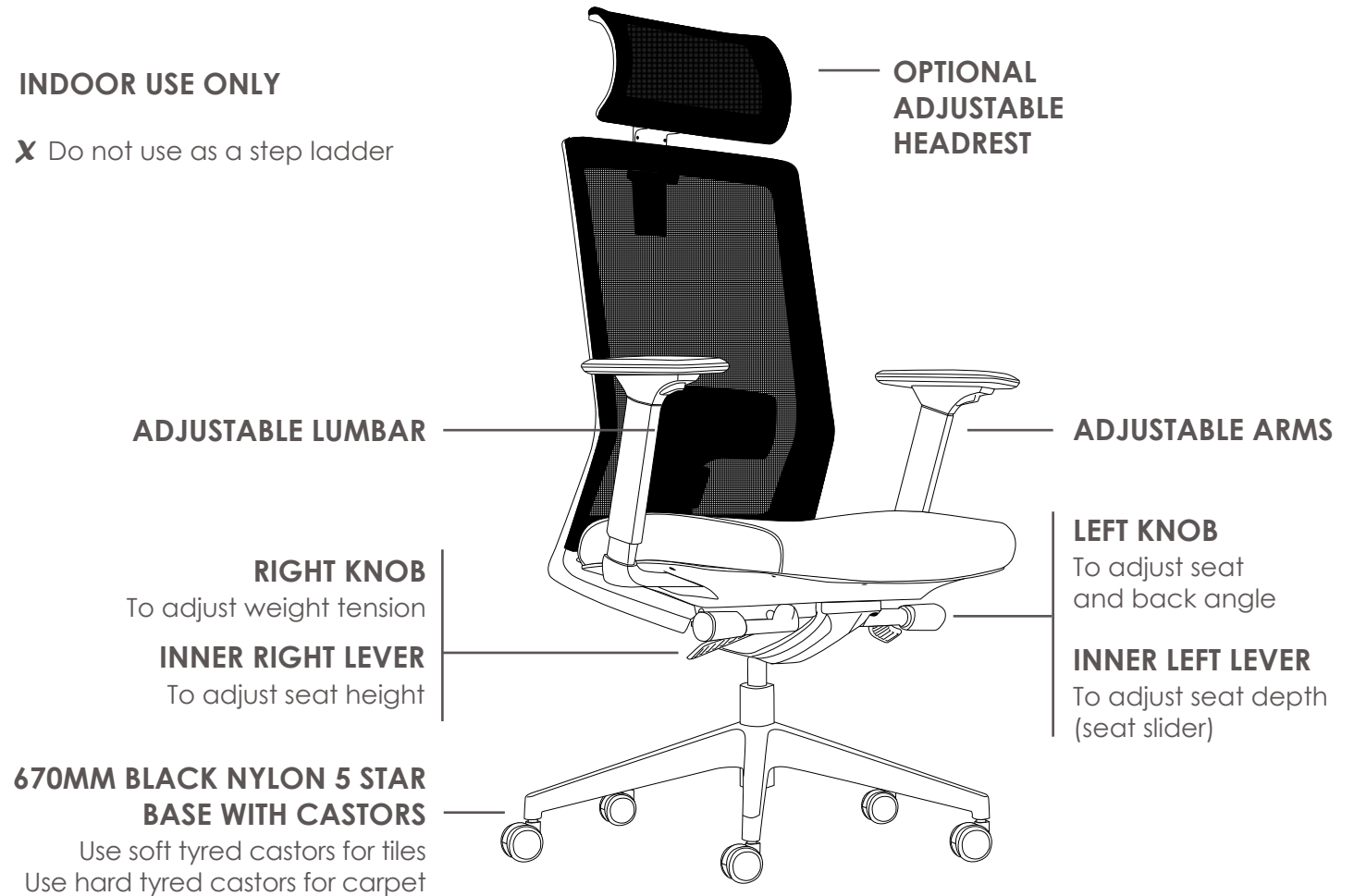


FEATURES

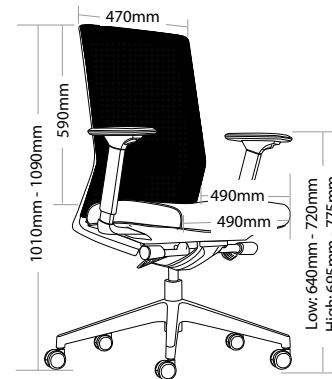
- » Adjustable seat height
- » Adjustable seat and back angle
- » Adjustable seat depth (seat slider)
- » Adjustable weight tension
- » Adjustable lumbar
- » Adjustable arms
- » Optional adjustable headrest
- » Synchron mechanism with 3 locking positions
- » 670mm black nylon 5 star base
- » Available in black only
- » BIFMA tested
- » Minor assembly required
- » Suitable for indoor use only
- » 5 year warranty
- » Weight limit is 130kg

INDOOR USE ONLY

X Do not use as a step ladder



KUBE-H



KUBE-L

KUBE EXECUTIVE MESH SEATING



KUBE-H



KUBE-L



BACK VIEW

** Please note that the Headrest should not be used to manoeuvre the chair.*

R5 EXECUTIVE MESH SEATING

BAXTER

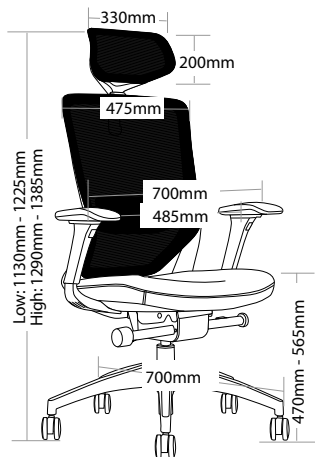
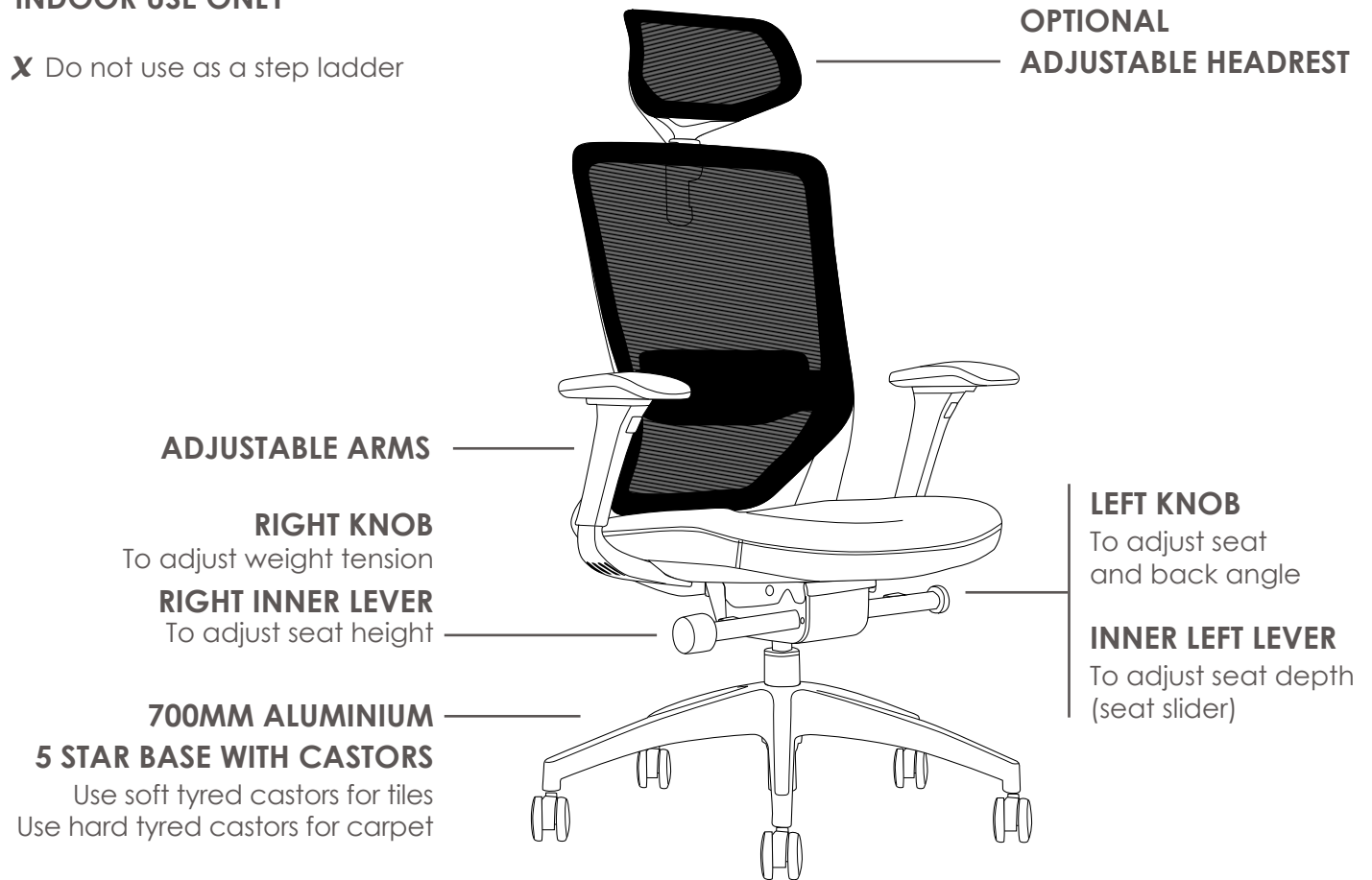


FEATURES

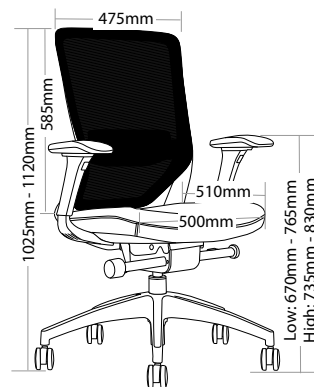
- » Adjustable seat height
- » Adjustable seat and back angle
- » Adjustable seat depth (seat slider)
- » Adjustable weight tension
- » Adjustable lumbar
- » Adjustable arms
- » Optional adjustable headrest
- » Synchron mechanism with 3 locking positions
- » 700mm aluminium base
- » Available in black only
- » BIFMA tested
- » Minor assembly required
- » Suitable for indoor use only
- » 5 year warranty
- » Weight limit is 130kg

INDOOR USE ONLY

✗ Do not use as a step ladder



BAXTER-H



BAXTER-L

BAXTER EXECUTIVE MESH SEATING



BAXTER-H



BAXTER-L



BACK VIEW

** Please note that the Headrest should not be used to manoeuvre the chair.*

R5 EXECUTIVE MESH SEATING

EVITA



FEATURES

EVITA-TA

- » Adjustable seat height
- » Adjustable seat and back angle
- » Adjustable lumbar
- » Adjustable arms
- » Synchron mechanism with 3 locking positions
- » 680mm black nylon base
- » Moulded seat foam
- » Korean mesh back
- » Available in black only
- » Minor assembly required
- » Suitable for indoor use only
- » 5 year warranty
- » Weight limit is 120kg



EVITA-H/ EVITA-L

- » Adjustable seat height
- » Adjustable seat and back angle
- » Adjustable seat depth (seat slider)
- » Adjustable weight tension
- » Adjustable lumbar
- » Adjustable arms
- » Optional adjustable headrest
- » Moulded seat foam
- » Korean mesh back
- » Synchron mechanism with 3 locking positions
- » 700mm aluminium base
- » Available in black only
- » BIFMA tested
- » Minor assembly required
- » Suitable for indoor use only
- » 5 year warranty
- » Weight limit is 120kg



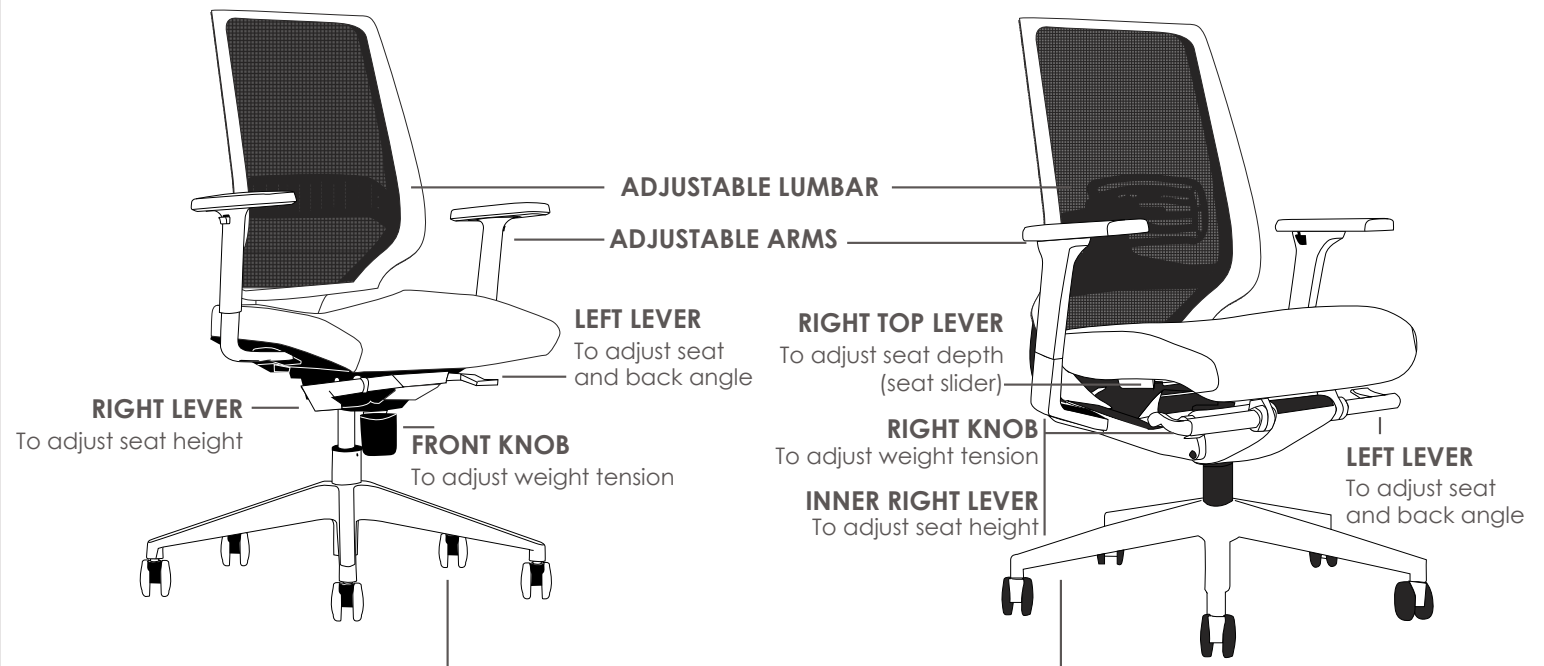
EVITA-VC

- » Chrome frame
- » Moulded seat foam
- » Korean mesh back
- » Available in black only
- » Minor assembly required
- » Suitable for indoor use only
- » 4 year warranty
- » Weight limit is 120kg



INDOOR USE ONLY

✗ Do not use as a step ladder

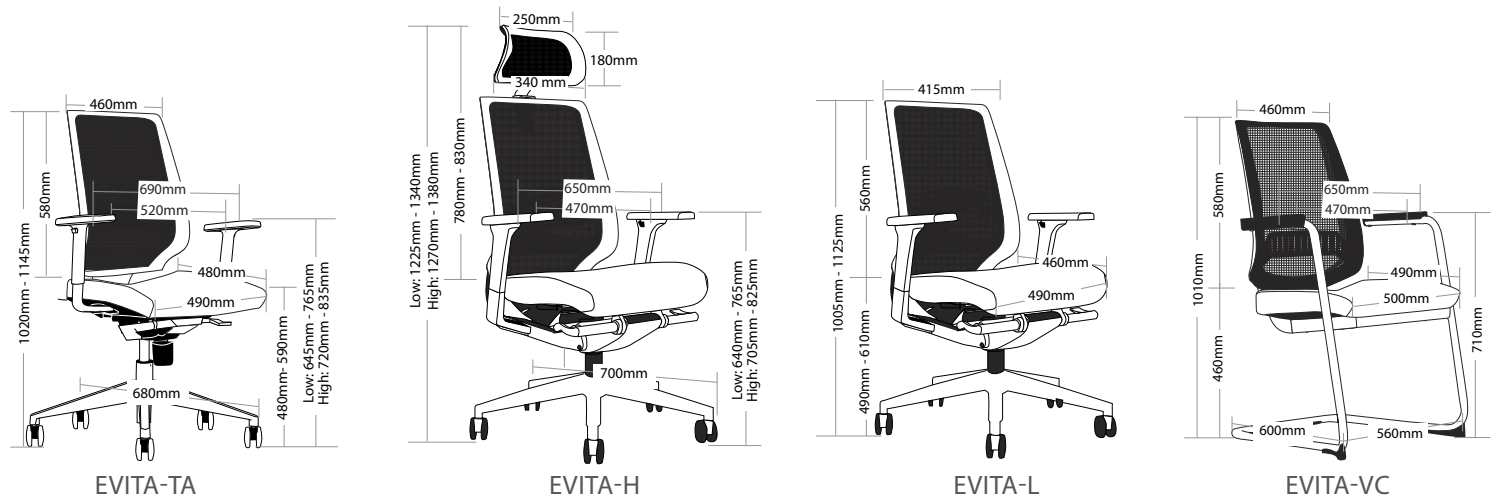


680MM BLACK NYLON 5 STAR BASE WITH CASTORS

Use soft tyred castors for tiles
Use hard tyred castors for carpet

700MM ALUMINIUM 5 STAR BASE WITH CASTORS

Use soft tyred castors for tiles
Use hard tyred castors for carpet



EVITA EXECUTIVE MESH SEATING



EVITA-TA



EVITA-H



EVITA-L



EVITA-VC

** Please note that the Headrest should not be used to manoeuvre the chair.*

R5 EXECUTIVE MESH SEATING

ZODIAC



FEATURES

- » Adjustable seat height cable controlled
- » Adjustable back height (ratchet)
- » Adjustable seat and back angle cable controlled
- » Adjustable seat depth (seat slider) cable controlled
- » Adjustable weight tension
- » Optional adjustable headrest
- » Adjustable arms
- » Synchron mechanism with 3 locking positions
- » 700mm aluminium base
- » Available in black only
- » BIFMA tested
- » Minor assembly required
- » Suitable for indoor use only
- » 5 year warranty
- » Weight limit is 120kg

INDOOR USE ONLY

X Do not use as a step ladder

To adjust back height hold back with two hands while seated and raise to desired height

To lower the back height raise back all the way to the top and release slowly

ADJUSTABLE ARMS

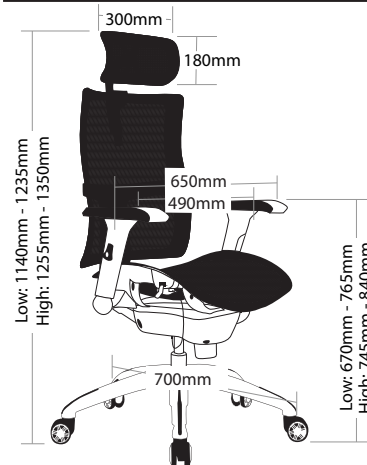
RIGHT LEVER

To adjust seat height

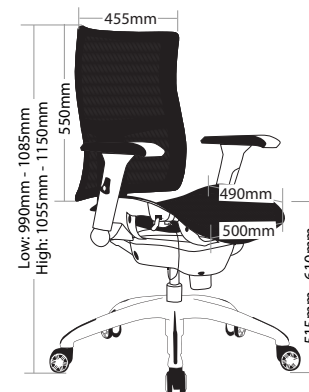
700MM ALUMINIUM 5 STAR BASE WITH CASTORS

Use soft tyred castors for tiles
Use hard tyred castors for carpet

OPTIONAL ADJUSTABLE HEADREST



ZODIAC-H



ZODIAC-L

ZODIAC EXECUTIVE MESH SEATING



ZODIAC-H



ZODIAC-L



BACK VIEW

** Please note that the Headrest should not be used to manoeuvre the chair.*

R5 EXECUTIVE MESH SEATING

RENATA



FEATURES

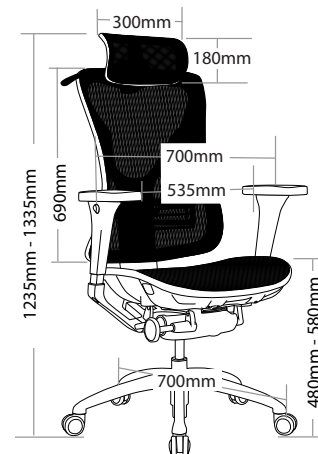
- » Adjustable seat height cable controlled
- » Adjustable seat and back angle cable controlled
- » Adjustable seat depth (seat slider) cable controlled
- » Adjustable weight tension
- » Adjustable active lumbar
- » Adjustable arms
- » Optional adjustable headrest
- » Coat rack
- » Mesh seat and back only
- » Synchron mechanism with 3 locking positions
- » 700mm aluminium base
- » Available in black only
- » BIFMA tested
- » Minor assembly required
- » Suitable for indoor use only
- » 5 year warranty
- » Weight limit is 120kg

INDOOR USE ONLY

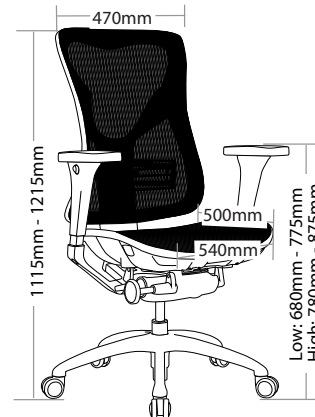
✗ Do not use as a step ladder

700MM ALUMINIUM 5 STAR BASE WITH CASTORS

Use soft tyred castors for tiles
Use hard tyred castors for carpet



RENATA-H



RENATA-L

COAT RACK

OPTIONAL ADJUSTABLE HEADREST

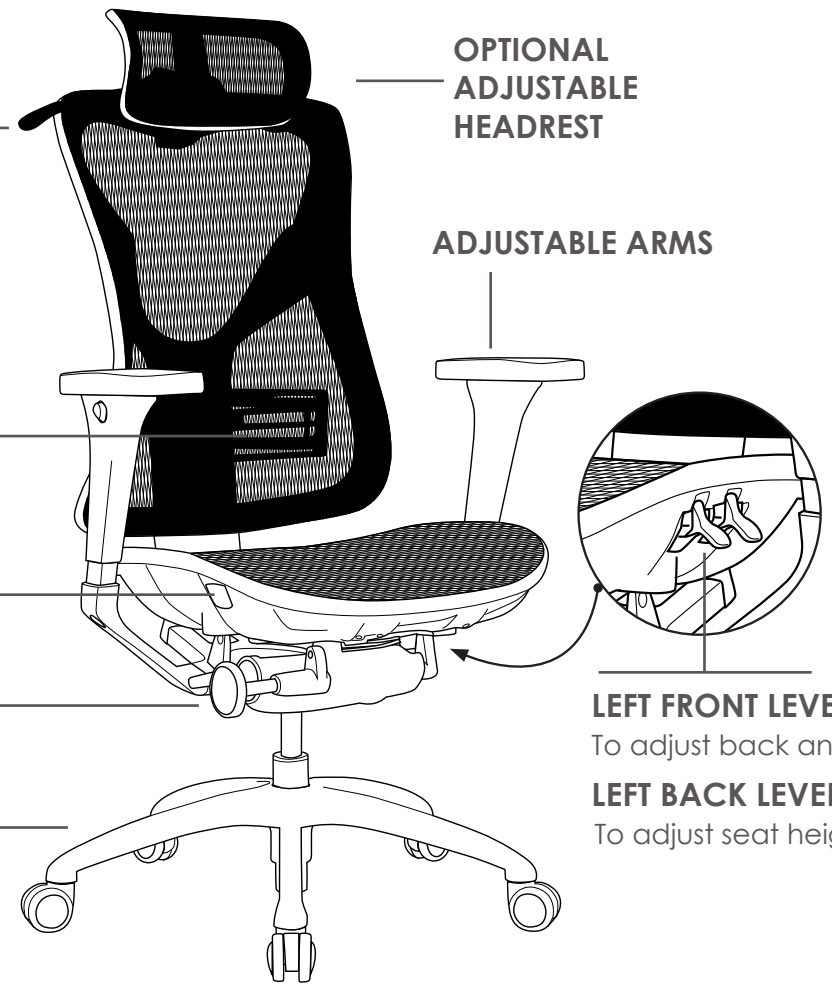
ADJUSTABLE ARMS

ADJUSTABLE ACTIVE LUMBAR

RIGHT TOP BUTTON
To adjust seat depth (seat slider)

RIGHT KNOB
To adjust weight tension

LEFT FRONT LEVER
To adjust back angle
LEFT BACK LEVER
To adjust seat height



RENATA EXECUTIVE MESH SEATING



RENATA-H



RENATA-L



BACK VIEW

** Please note that the Headrest should not be used to manoeuvre the chair.*

R5 EXECUTIVE MESH SEATING

ERGO-1

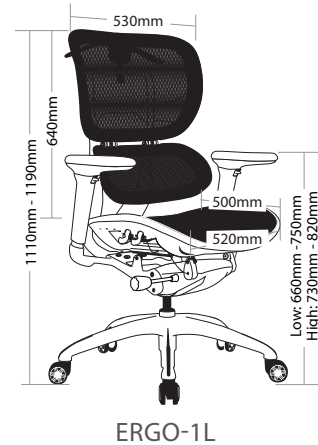
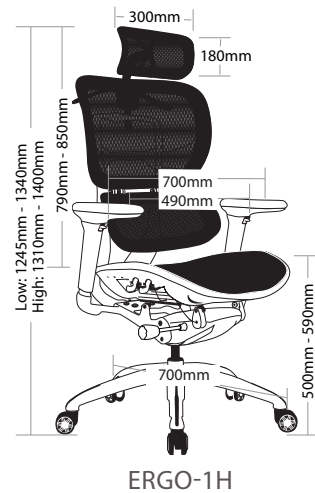
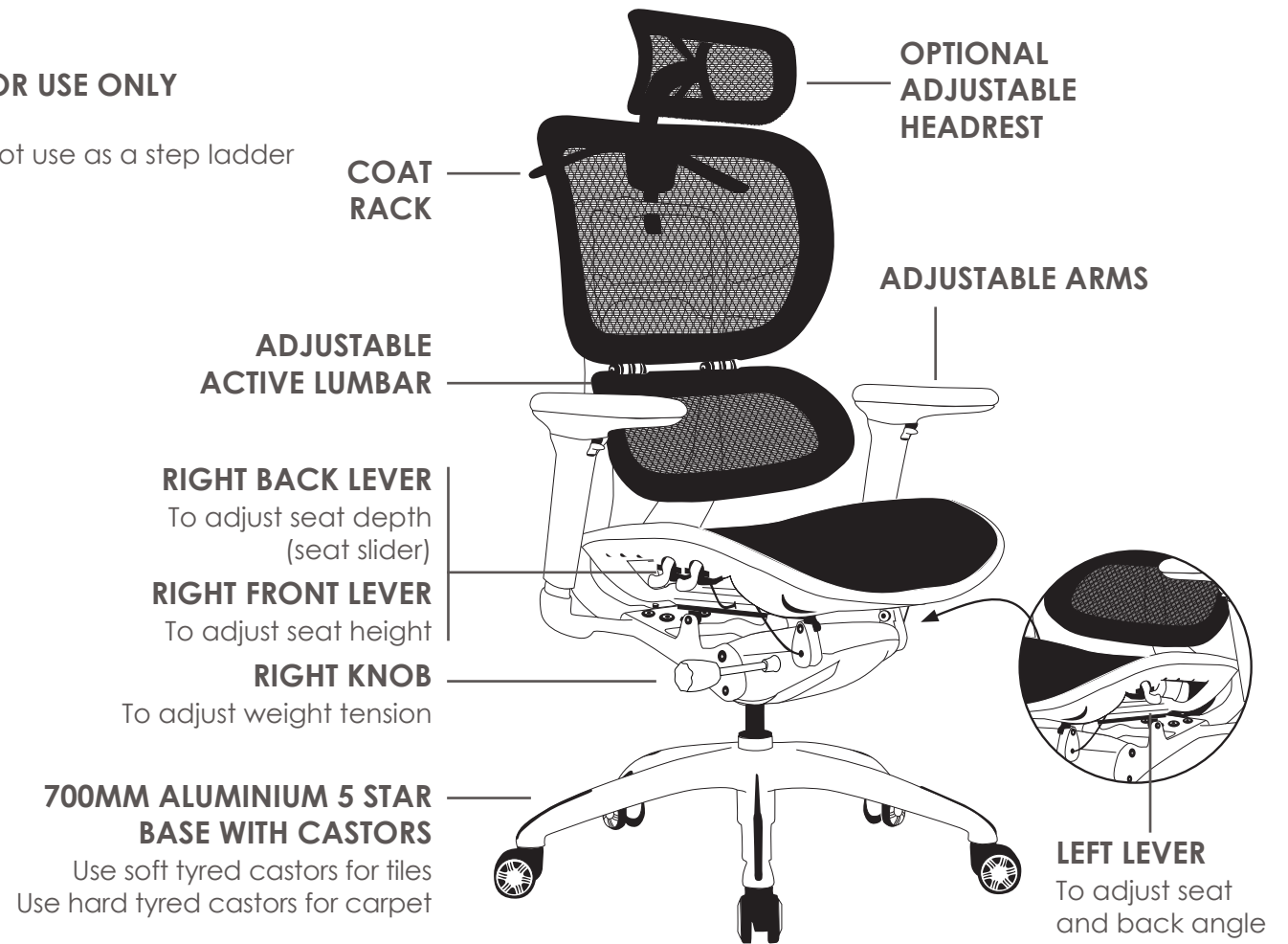


FEATURES

- » Adjustable seat height cable controlled
- » Adjustable seat and back angle cable controlled
- » Adjustable seat depth (seat slider) cable controlled
- » Adjustable weight tension
- » Adjustable active lumbar
- » Adjustable arms
- » Optional adjustable headrest
- » Coat rack
- » Synchron mechanism with 3 locking positions
- » 700mm aluminium base
- » Available in black only
- » BIFMA tested
- » Minor assembly required
- » Suitable for indoor use only
- » 5 year warranty
- » Weight limit is 120kg

INDOOR USE ONLY

X Do not use as a step ladder



ERGO-1 EXECUTIVE MESH SEATING



ERG0-1H



ERG0-1L



RIGHT VIEW

** Please note that the Headrest should not be used to manoeuvre the chair.*

R6 EXECUTIVE SEATING

HILTON



FEATURES

HILTON-H/ HILTON-L

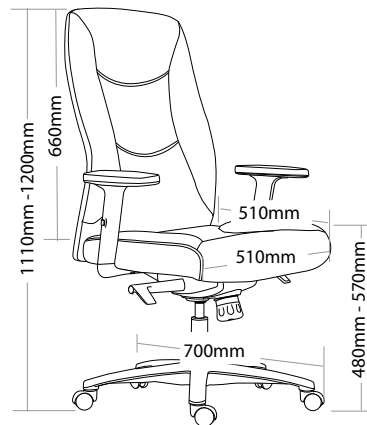
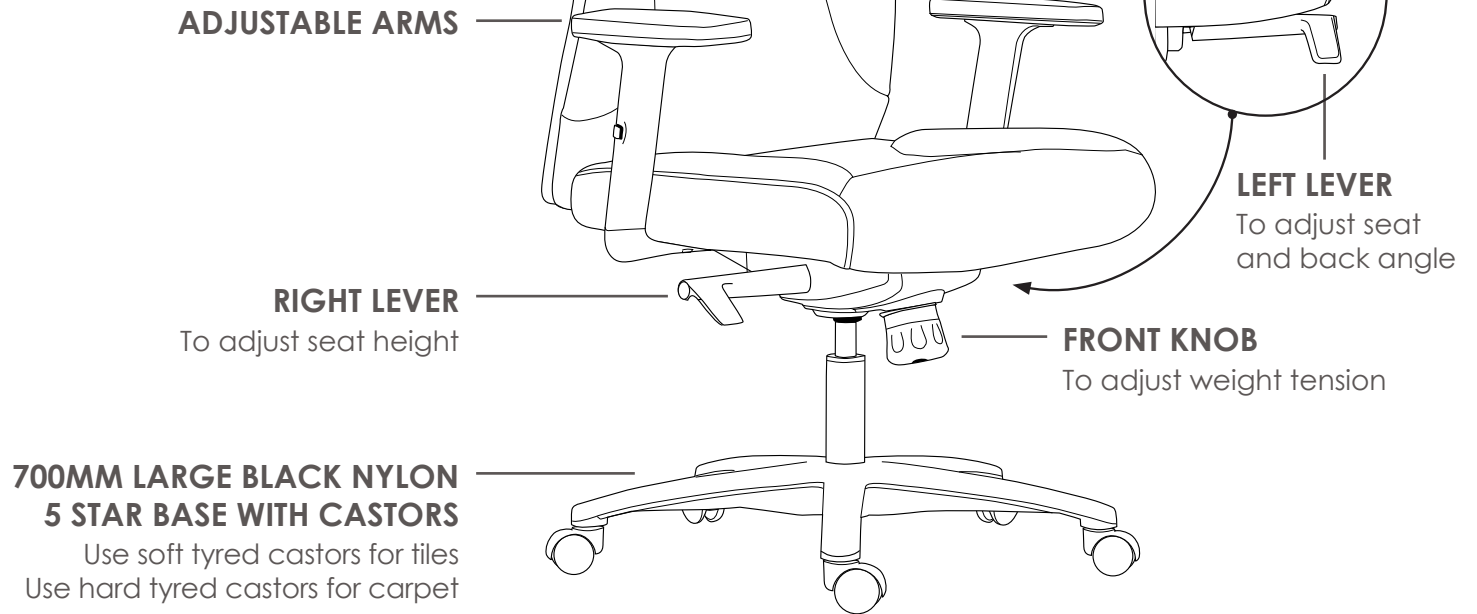
- » Adjustable seat height
- » Adjustable seat and back angle
- » Adjustable weight tension
- » Adjustable arms
- » Available in high and low back
- » Synchron mechanism with 3 locking positions
- » 700mm large black nylon base
- » Available in black PU only
- » Minor assembly required
- » Suitable for indoor use only
- » 5 year warranty
- » Weight limit is 120kg

HILTON-VC

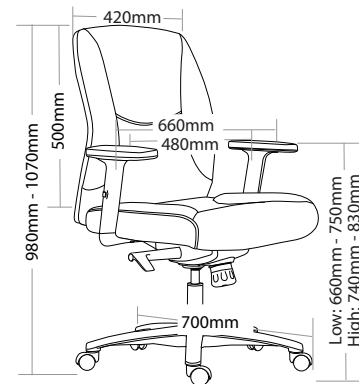
- » Black metal frame
- » Available in black PU only
- » Minor assembly required
- » Suitable for indoor use only
- » 5 year warranty
- » Weight limit is 120kg

INDOOR USE ONLY

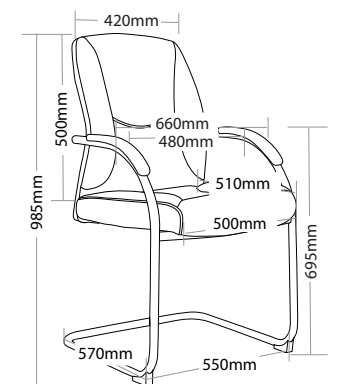
X Do not use as a step ladder



HILTON-H



HILTON-L



HILTON-VC

HILTON EXECUTIVE SEATING



HILTON-H



HILTON-L



HILTON-VC

R6 EXECUTIVE SEATING

CRUZ



FEATURES

- » Adjustable seat height
- » Adjustable seat and back angle
- » Adjustable weight tension
- » Fixed chrome arms
- » Available in high and low back
- » Knee tilt mechanism with 3 locking positions
- » 700mm aluminium base
- » Available in black PU only
- » Minor assembly required
- » Suitable for indoor use only
- » 5 year warranty
- » Weight limit is 120kg

INDOOR USE ONLY

X Do not use as a step ladder

FIXED CHROME ARMS

LEFT LEVER

To adjust seat and back angle

RIGHT LEVER

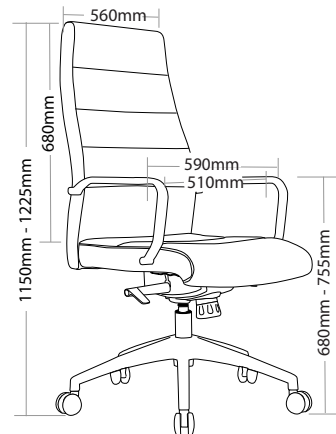
To adjust seat height

FRONT KNOB

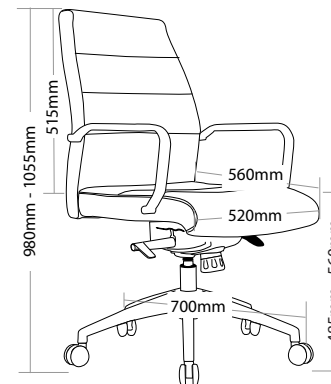
To adjust weight tension

700MM ALUMINIUM 5 STAR BASE WITH CASTORS

Use soft tyred castors for tiles
Use hard tyred castors for carpet



CRUZ-H



CRUZ-L

CRUZ EXECUTIVE SEATING



CRUZ-H



CRUZ-L



BACK VIEW

R6 EXECUTIVE SEATING

VENUS

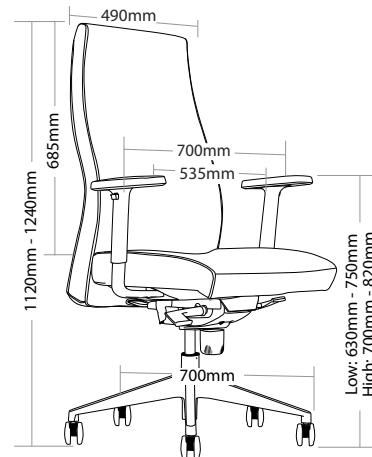
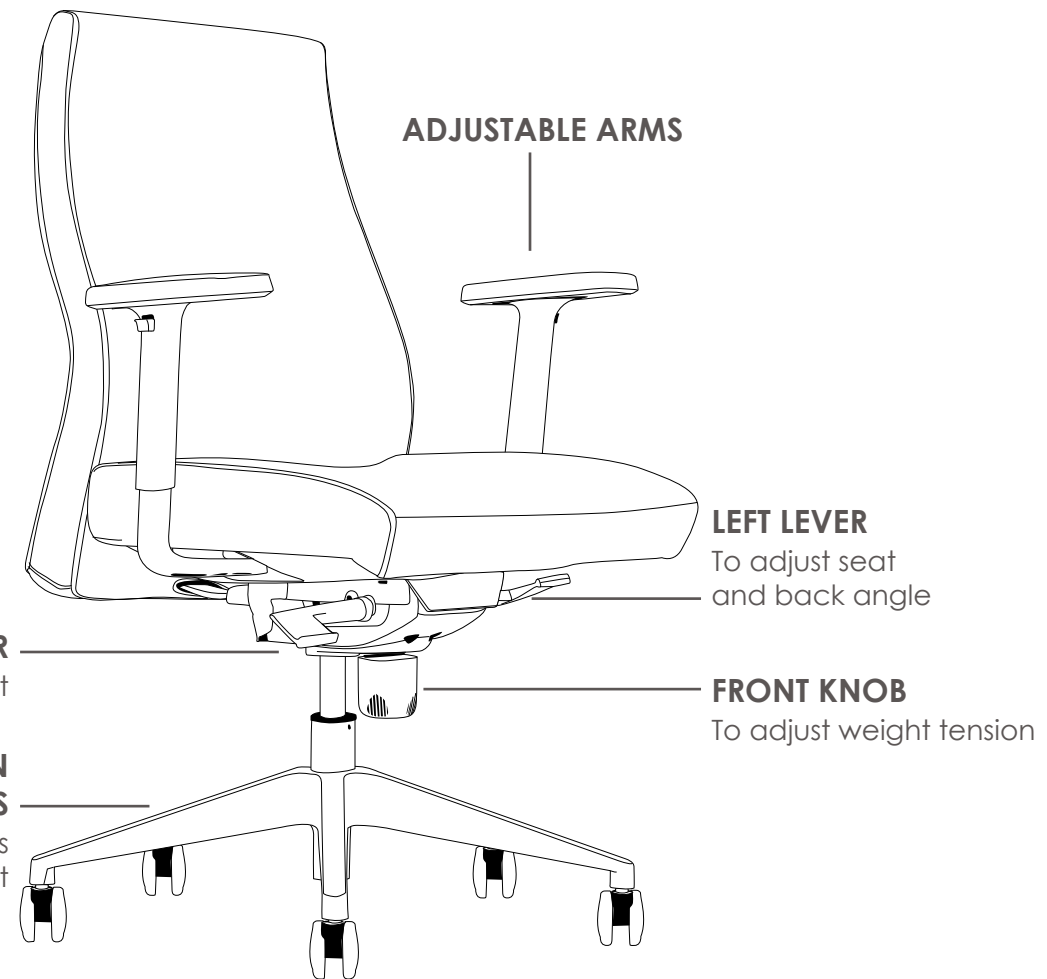


FEATURES

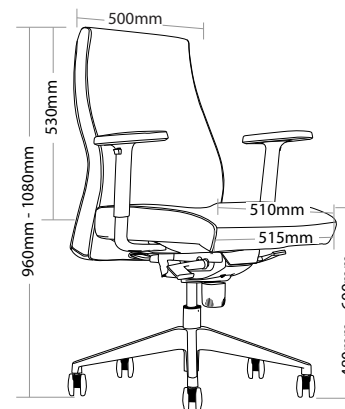
- » Adjustable seat height
- » Adjustable seat and back angle
- » Adjustable weight tension
- » Adjustable arms
- » Available in high and low back
- » Plastic under pan
- » Moulded seat and back foam
- » Synchron mechanism with 3 locking positions
- » 700mm heavy duty black nylon base
- » Available in black PU only
- » Minor assembly required
- » Suitable for indoor use only
- » 5 year warranty
- » Weight limit is 130kg

INDOOR USE ONLY

✗ Do not use as a step ladder



VENUS-H



VENUS-L

VENUS EXECUTIVE SEATING



VENUS-H



VENUS-L



BACKVIEW

R6 EXECUTIVE SEATING

OHIO



FEATURES

- » Adjustable seat height
- » Adjustable seat and back angle
- » Adjustable weight tension
- » Adjustable chrome arms
- » Optional headrest
- » Moulded back foam
- » Saddle seat
- » Synchron mechanism with 3 locking positions
- » 700mm aluminium base
- » Available in black PU only
- » Minor assembly required
- » Suitable for indoor use only
- » 5 year warranty
- » Weight limit is 130kg

INDOOR USE ONLY

X Do not use as a step ladder

ADJUSTABLE CHROME ARMS

RIGHT LEVER

To adjust seat height

700MM ALUMINIUM 5 STAR BASE WITH CASTORS

Use soft tyred castors for tiles
Use hard tyred castors for carpet

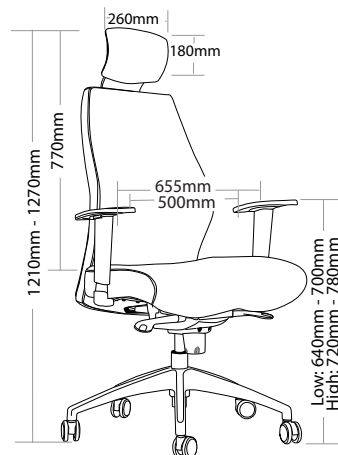
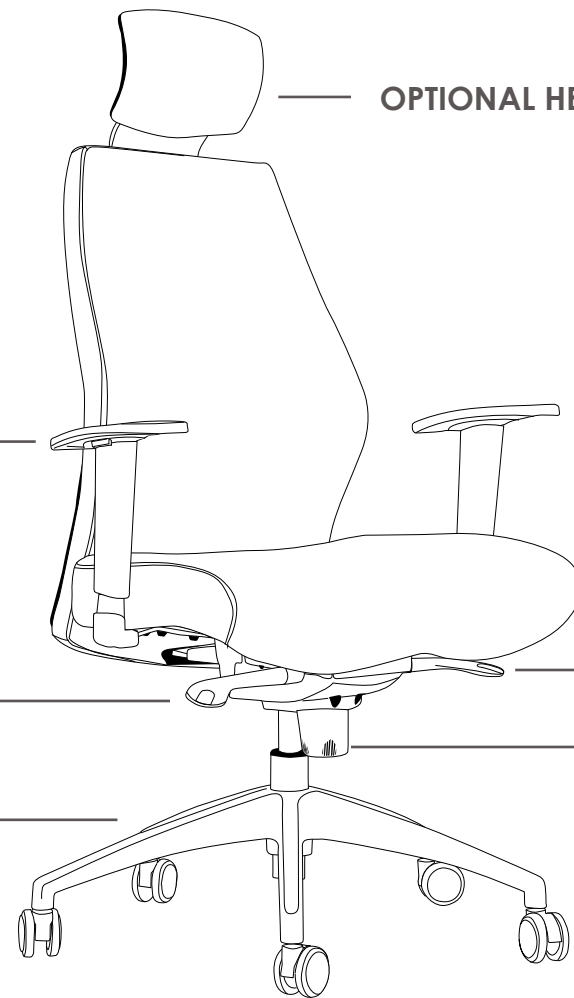
OPTIONAL HEADREST

LEFT LEVER

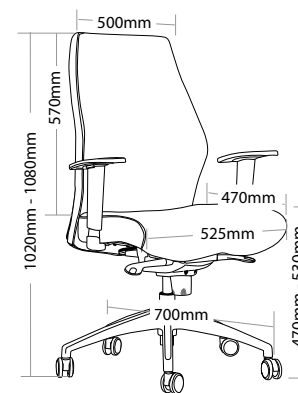
To adjust seat and back angle

FRONT KNOB

To adjust weight tension



OHIO-H



OHIO-L

OHIO EXECUTIVE SEATING



OHIO-H



OHIO-L

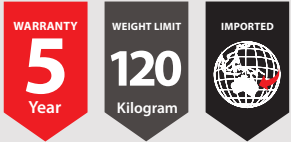


BACKVIEW

** Please note that the Headrest should not be used to manoeuvre the chair.*

R6 EXECUTIVE SEATING

CAMRY



FEATURES

CAMRY-H/ CAMRY-L

- » Adjustable seat height
- » Adjustable seat and back angle
- » Adjustable weight tension
- » Available in high and low back
- » Fixed heavy duty aluminium arms
- » High density foam
- » Knee tilt mechanism with 3 locking positions
- » 700mm heavy duty aluminium base
- » Available in black PU only
- » Minor assembly required
- » Suitable for indoor use only
- » 5 year warranty
- » Weight limit is 120kg

CAMRY-VC

- » Chrome frame
- » High density foam
- » Available in black PU only
- » Minor assembly required
- » Suitable for indoor use only
- » 5 year warranty
- » Weight limit is 120kg

INDOOR USE ONLY

X Do not use as a step ladder

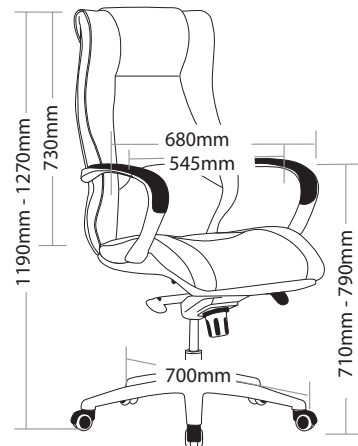
FIXED HEAVY DUTY ALUMINIUM ARMS

RIGHT LEVER
To adjust seat height

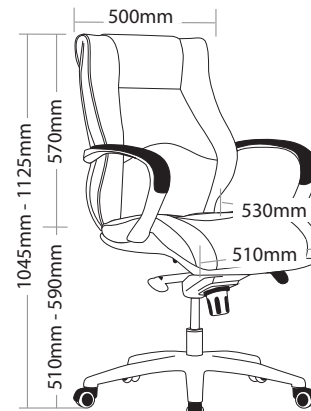
700MM HEAVY DUTY ALUMINIUM 5 STAR BASE WITH CASTORS
Use soft tyred castors for tiles
Use hard tyred castors for carpet

LEFT LEVER
To adjust seat and back angle

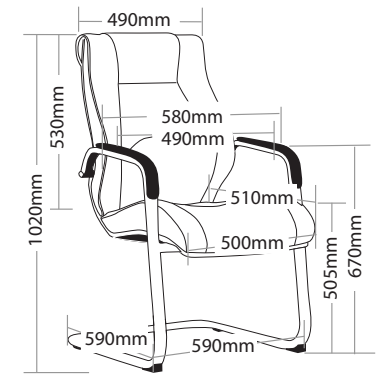
FRONT KNOB
To adjust weight tension



CAMRY-H



CAMRY-L



CAMRY-VC

CAMRY EXECUTIVE SEATING



CAMRY-H



CAMRY-L



CAMRY-VC

R6 EXECUTIVE SEATING

BOSTON



FEATURES

BOSTON-H/ BOSTON-L

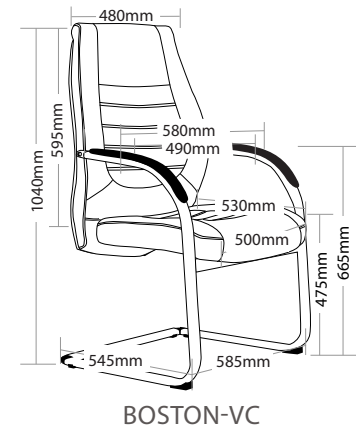
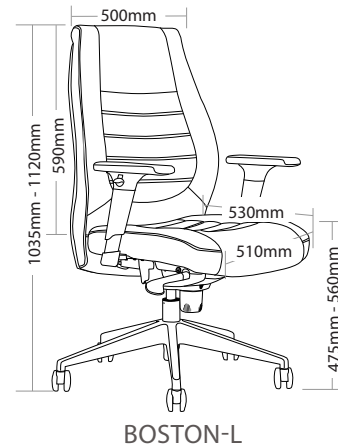
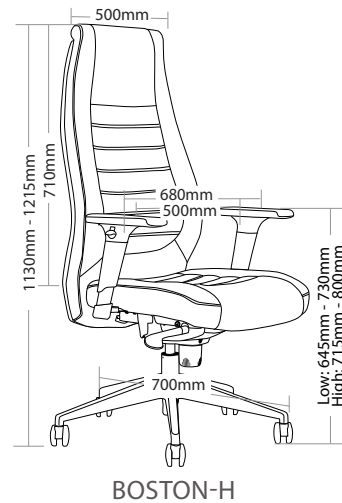
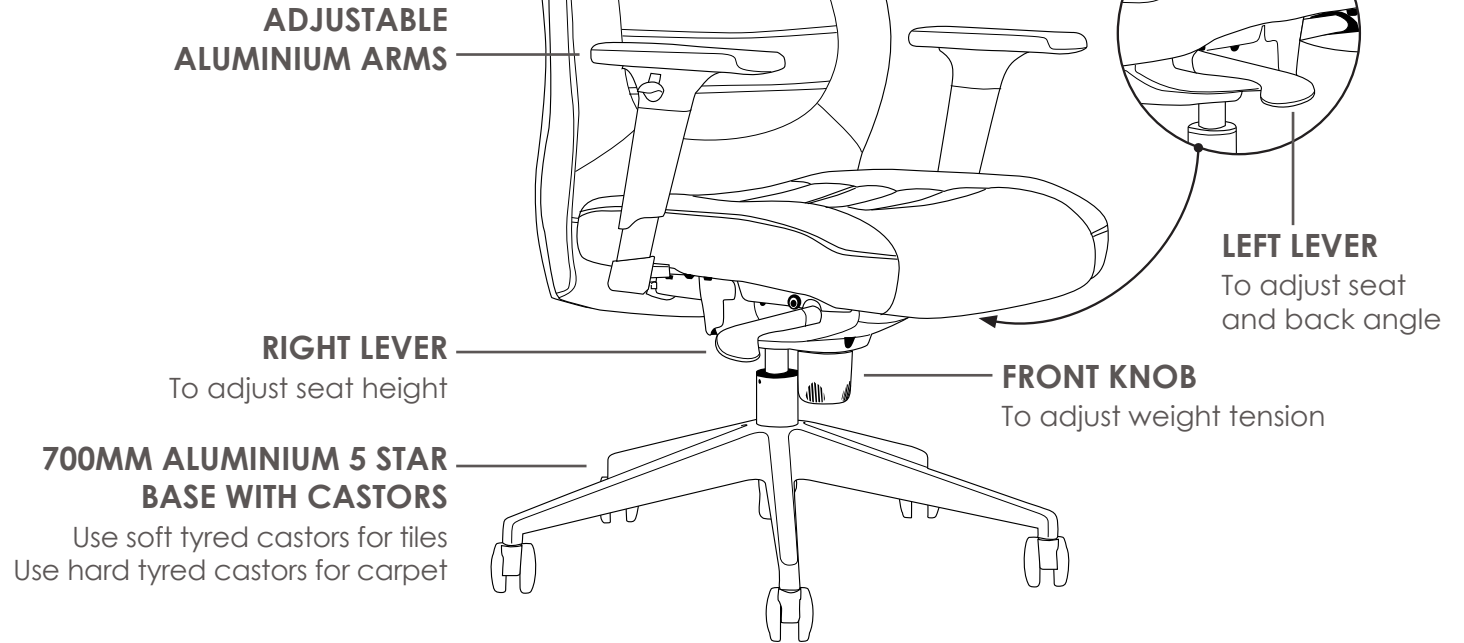
- » Adjustable seat height
- » Adjustable seat and back angle
- » Adjustable weight tension
- » Adjustable aluminium arms
- » Available in high and low back
- » High density foam
- » Synchron mechanism with 3 locking positions
- » 700mm aluminium base
- » Available in black PU only
- » Minor assembly required
- » Suitable for indoor use only
- » 5 year warranty
- » Weight limit is 120kg

BOSTON-VC

- » Chrome frame
- » High density foam
- » Available in black PU only
- » Minor assembly required
- » Suitable for indoor use only
- » 5 year warranty
- » Weight limit is 120kg

INDOOR USE ONLY

X Do not use as a step ladder



BOSTON EXECUTIVE SEATING



BOSTON-H



BOSTON-L



BOSTON-VC

R6 EXECUTIVE SEATING

GRAND



FEATURES

GRAND-H/ GRAND-L

- » Adjustable seat height
- » Adjustable seat and back angle
- » Adjustable weight tension
- » Available in high and low back
- » Fixed aluminium arms
- » High density foam
- » Knee tilt mechanism with 3 locking positions
- » 700mm aluminium base
- » Available in black PU only
- » Minor assembly required
- » Suitable for indoor use only
- » 5 year warranty
- » Weight limit is 120kg

GRAND-VC

- » Chrome frame
- » High density foam
- » Available in black PU only
- » Minor assembly required
- » Suitable for indoor use only
- » 5 year warranty
- » Weight limit is 120kg

INDOOR USE ONLY

✗ Do not use as a step ladder

FIXED ALUMINIUM ARMS

RIGHT KNOB

Wind forwards or backwards to adjust weight tension

INNER RIGHT LEVER

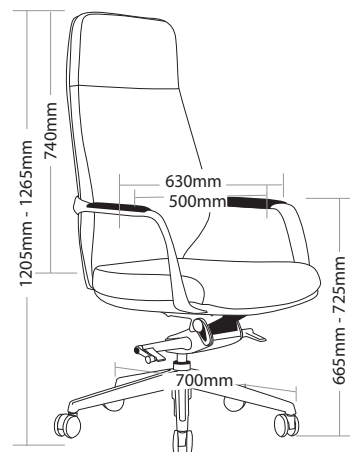
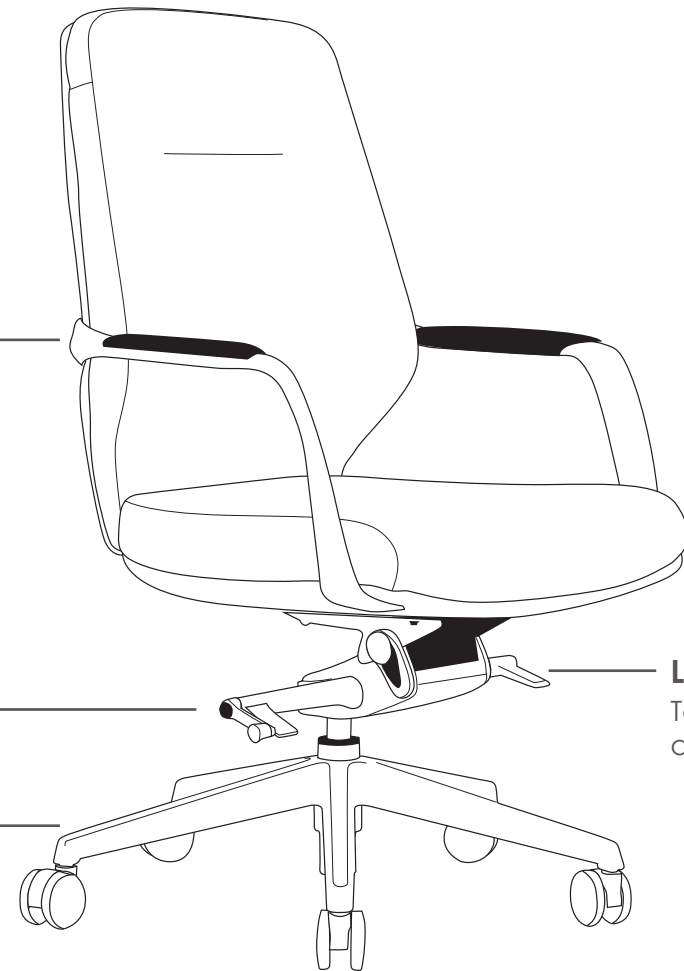
To adjust seat height

700MM ALUMINIUM 5 STAR BASE WITH CASTORS

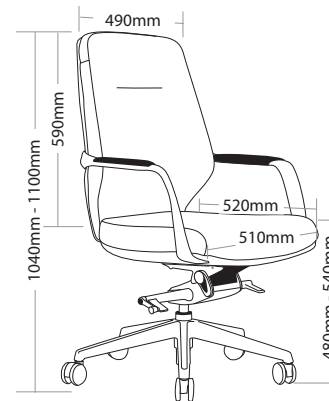
Use soft tyred castors for tiles
Use hard tyred castors for carpet

LEFT LEVER

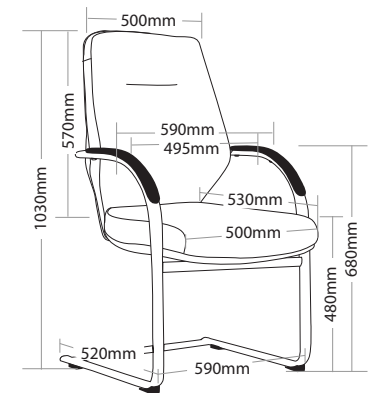
To adjust seat and back angle



GRAND-H



GRAND-L



GRAND-VC

GRAND EXECUTIVE SEATING



GRAND-H



GRAND-L



GRAND-VC

R6 EXECUTIVE SEATING

FLASH



FEATURES

FLEX1H/ FLEX1L

- » Adjustable seat height
- » Adjustable seat and back angle
- » Adjustable weight tension
- » Fixed arms
- » Available in high and low back
- » Knee tilt mechanism with 3 locking positions
- » 700mm aluminium base
- » Aluminium frame
- » Available in black leather only
- » Minor assembly required
- » Suitable for indoor use only
- » 5 year warranty
- » Weight limit is 120kg

FLVC1

- » Aluminium cantilever frame
- » Available in black leather only
- » Minor assembly required
- » Suitable for indoor use only
- » 5 year warranty
- » Weight limit is 120kg

INDOOR USE ONLY

X Do not use as a step ladder

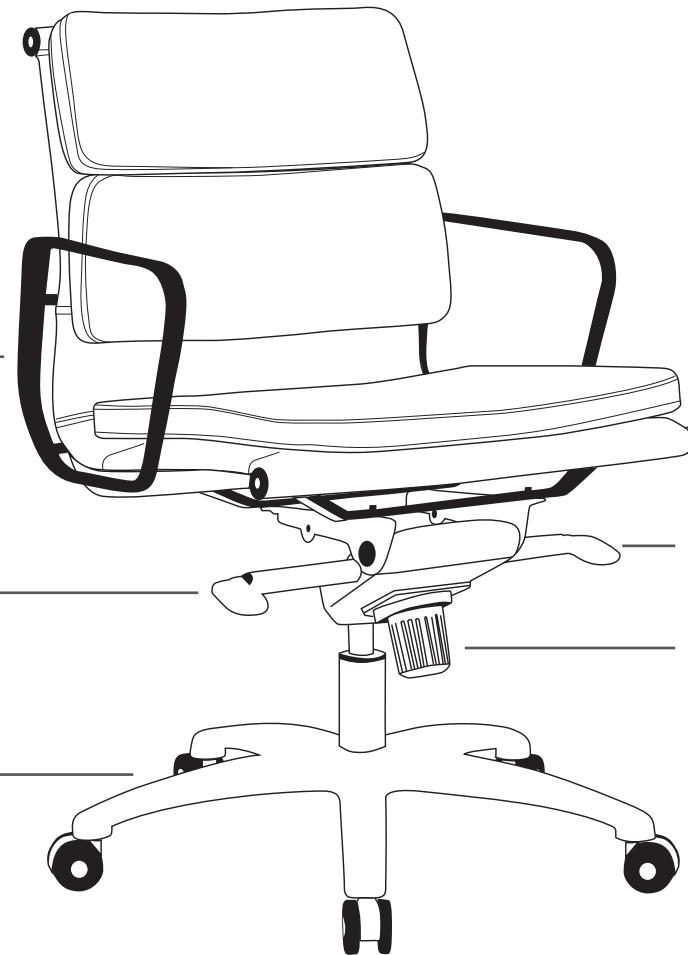
FIXED ALUMINIUM ARMS

RIGHT LEVER

To adjust seat height

700MM ALUMINIUM 5 STAR BASE WITH CASTORS

Use soft tyred castors for tiles
Use hard tyred castors for carpet

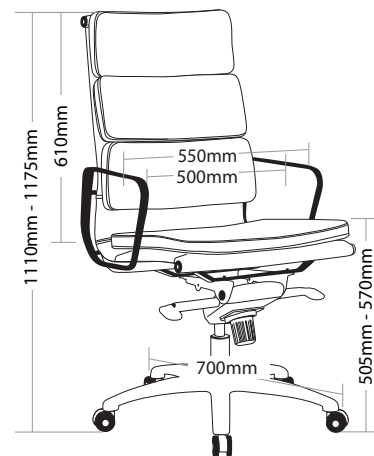


LEFT LEVER

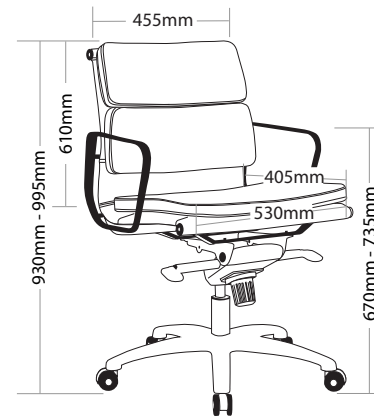
To adjust seat and back angle

FRONT KNOB

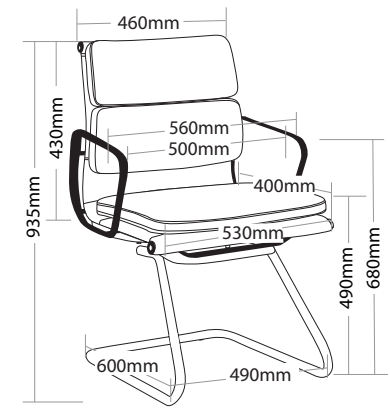
To adjust weight tension



FLEX1H



FLEX1L



FLVC1

FLASH EXECUTIVE SEATING



FLEX1H



FLEX1L



FLVC1

R6 EXECUTIVE SEATING

SELECT



FEATURES

- » Adjustable seat height
- » Adjustable seat and back angle
- » Adjustable weight tension
- » Available in high and low back
- » Fixed alloy arms
- » Knee tilt mechanism with 4 locking positions
- » 700mm alloy base
- » Available in A grade Italian leather only
- » Minor assembly required
- » Suitable for indoor use only
- » 5 year warranty
- » Weight limit 130kg

INDOOR USE ONLY

X Do not use as a step ladder

FIXED ALLOY ARMS

RIGHT KNOB

To adjust weight tension

INNER RIGHT LEVER

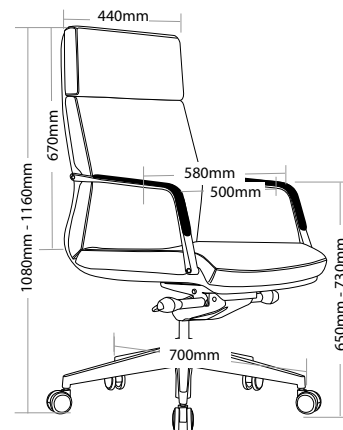
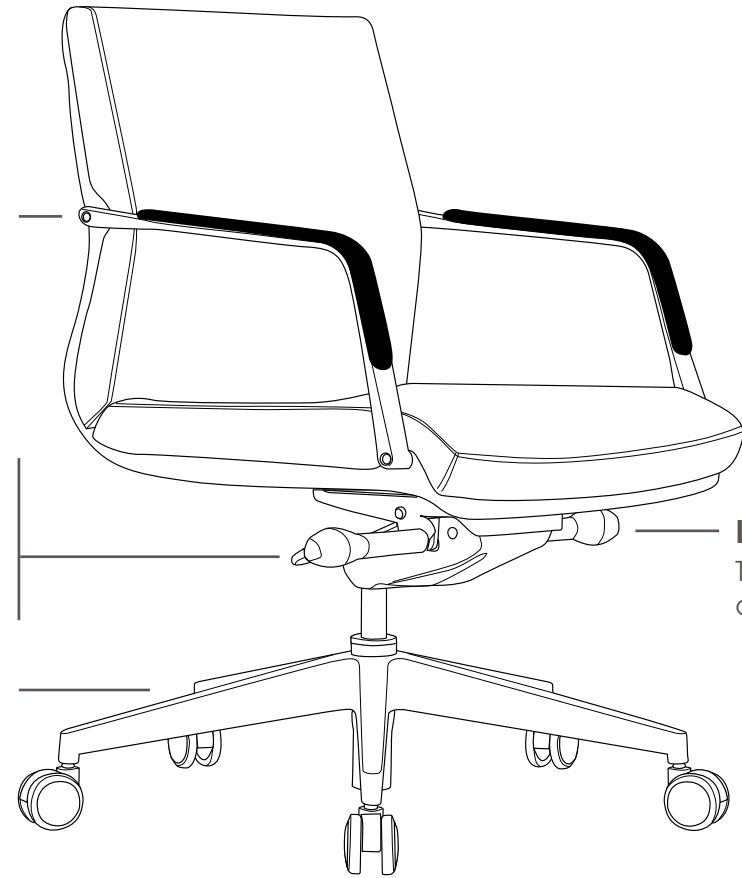
To adjust seat height

LEFT KNOB

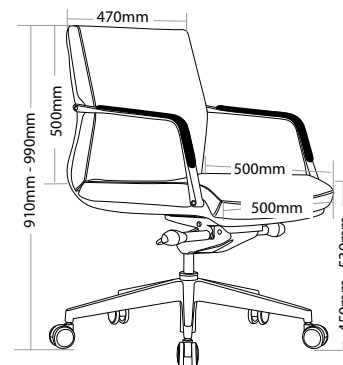
To adjust seat and back angle

700MM ALLOY 5 STAR BASE WITH CASTORS

Use soft tyred castors for tiles
Use hard tyred castors for carpet



SELECT-H



SELECT-L

SELECT EXECUTIVE SEATING



SELECT-H



SELECT-L



BACK VIEW

R6 EXECUTIVE SEATING

ENZO

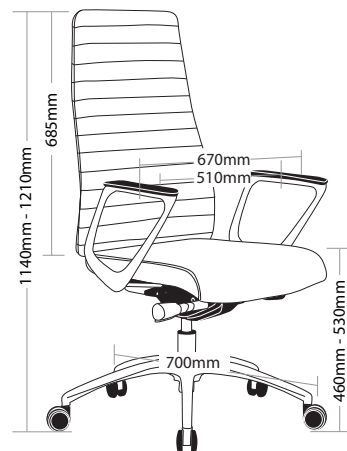
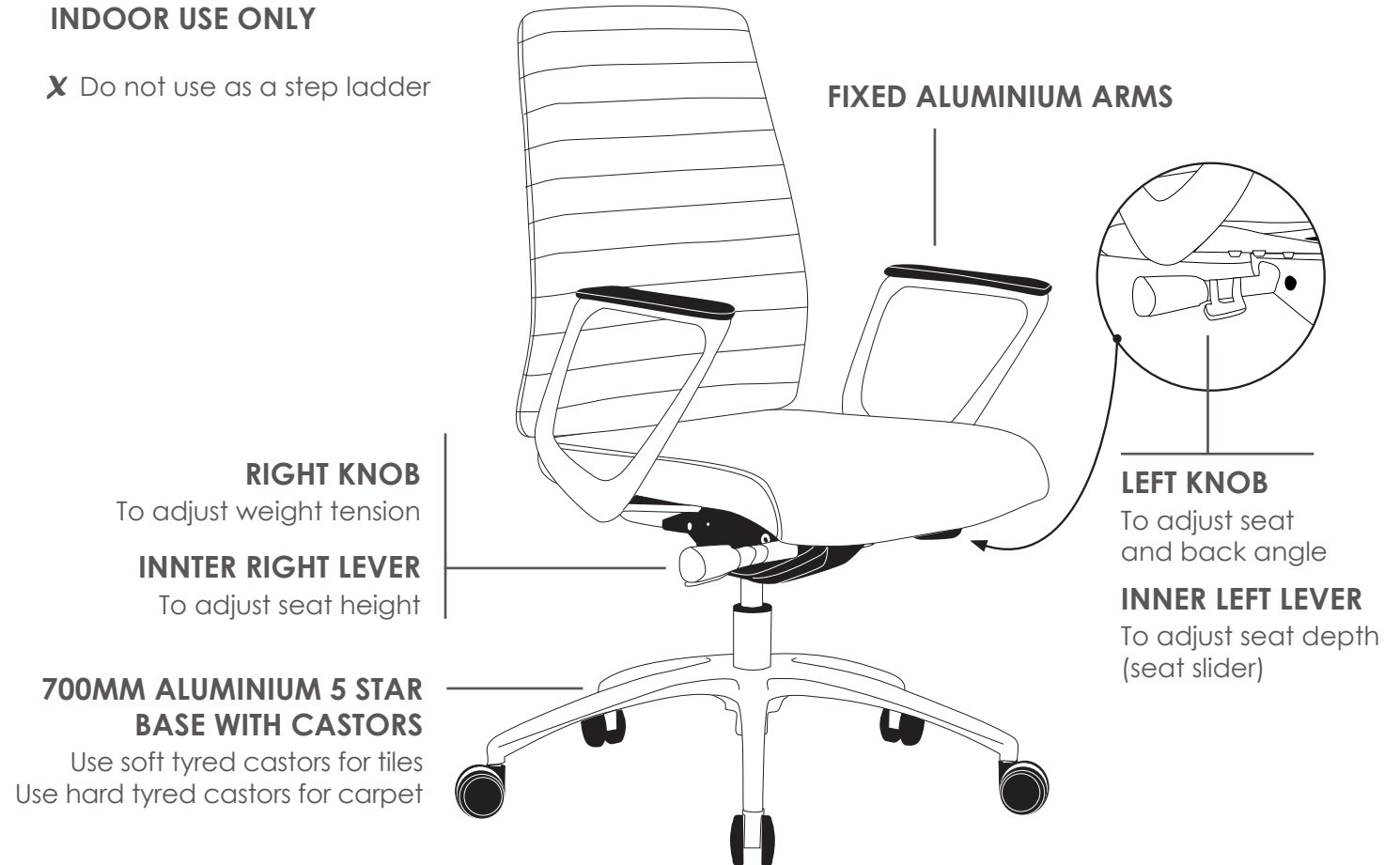


FEATURES

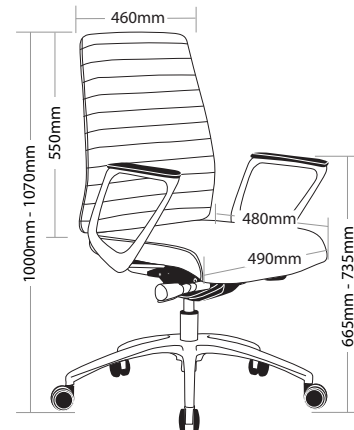
- » Adjustable seat height
- » Adjustable seat and back angle
- » Adjustable seat depth (seat slider)
- » Adjustable weight tension
- » Fixed aluminium arms
- » Available in high and low back
- » Ribbed back
- » Synchron mechanism with 3 locking positions
- » 700mm aluminium base
- » Available in black leather only
- » Suitable for indoor use only
- » 3 year warranty
- » Weight limit is 120kg

INDOOR USE ONLY

✗ Do not use as a step ladder



ENZO-H



ENZO-L

ENZO EXECUTIVE SEATING



ENZO-H



ENZO-L



BACKVIEW

R6 EXECUTIVE SEATING

MAGNUM



FEATURES

MAGNUM-H/MAGNUM-L

- » Adjustable seat height
- » Adjustable seat and back angle
- » Adjustable weight tension
- » Fixed aluminium arms
- » Available in high and low back
- » Moulded seat and back foam
- » Knee tilt mechanism with 3 locking positions
- » 700mm aluminium base
- » Extremely comfortable
- » Available in black leather only
- » Suitable for indoor use only
- » 5 year warranty
- » Weight limit is 120kg

MAGNUM-VC

- » Fixed aluminium arms
- » Chrome cantilever frame
- » Extremely comfortable
- » Available in black leather only
- » Suitable for indoor use only
- » 5 year warranty
- » Weight limit is 120kg

INDOOR USE ONLY

✗ Do not use as a step ladder

FIXED ALUMINIUM ARMS

RIGHT LEVER

To adjust seat height

700MM ALUMINIUM 5 STAR BASE WITH CASTORS

Use soft tyred castors for tiles
Use hard tyred castors for carpet

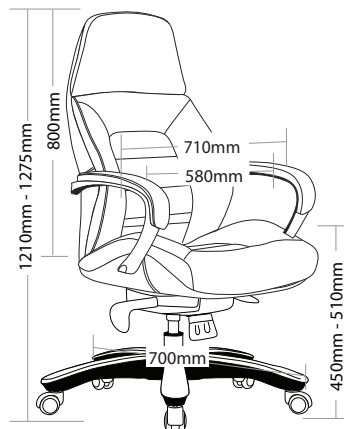


LEFT LEVER

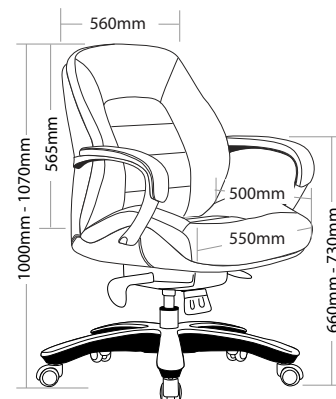
To adjust seat and back angle

FRONT KNOB

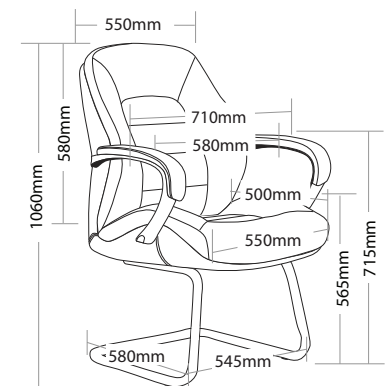
To adjust weight tension



MAGNUM-H



MAGNUM-L



MAGNUM-VC

MAGNUM EXECUTIVE SEATING



MAGNUM-H



MAGNUM-L



MAGNUM-VC

R6 EXECUTIVE SEATING

CAPTAIN



FEATURES

- » Adjustable seat height
- » Adjustable seat and back angle
- » Adjustable weight tension
- » Adjustable seat depth (seat slider)
- » Available in high and low back
- » Synchron mechanism with 3 locking positions
- » 700mm aluminium base
- » Extremely comfortable
- » Available in black leather only
- » Carbon fibre back upholstery
- » Suitable for indoor use only
- » 5 year warranty
- » Weight limit is 130kg

INDOOR USE ONLY

X Do not use as a step ladder



RIGHT INNER LEVER

To adjust seat height

RIGHT KNOB

To adjust weight tension

LEFT INNER LEVER

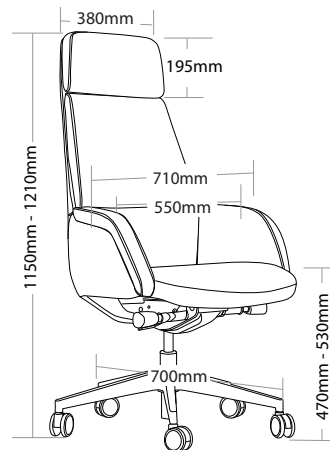
To adjust seat and back angle

LEFT KNOB

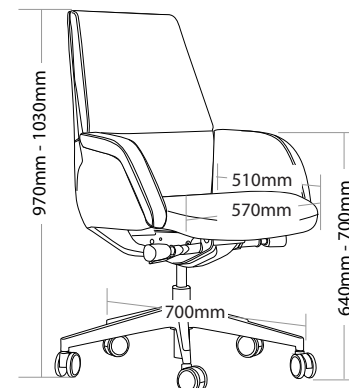
To adjust seat depth (Seat slider)

700MM ALUMINIUM 5 STAR BASE WITH CASTORS

Use soft tyred castors for tiles
Use hard tyred castors for carpet



CAPTAIN-H



CAPTAIN-L

CAPTAIN EXECUTIVE SEATING



CAPTAIN-H



CAPTAIN-L



BACK VIEW

R7 HOSPITALITY SEATING

NEO

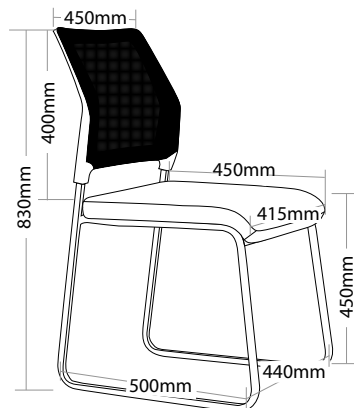
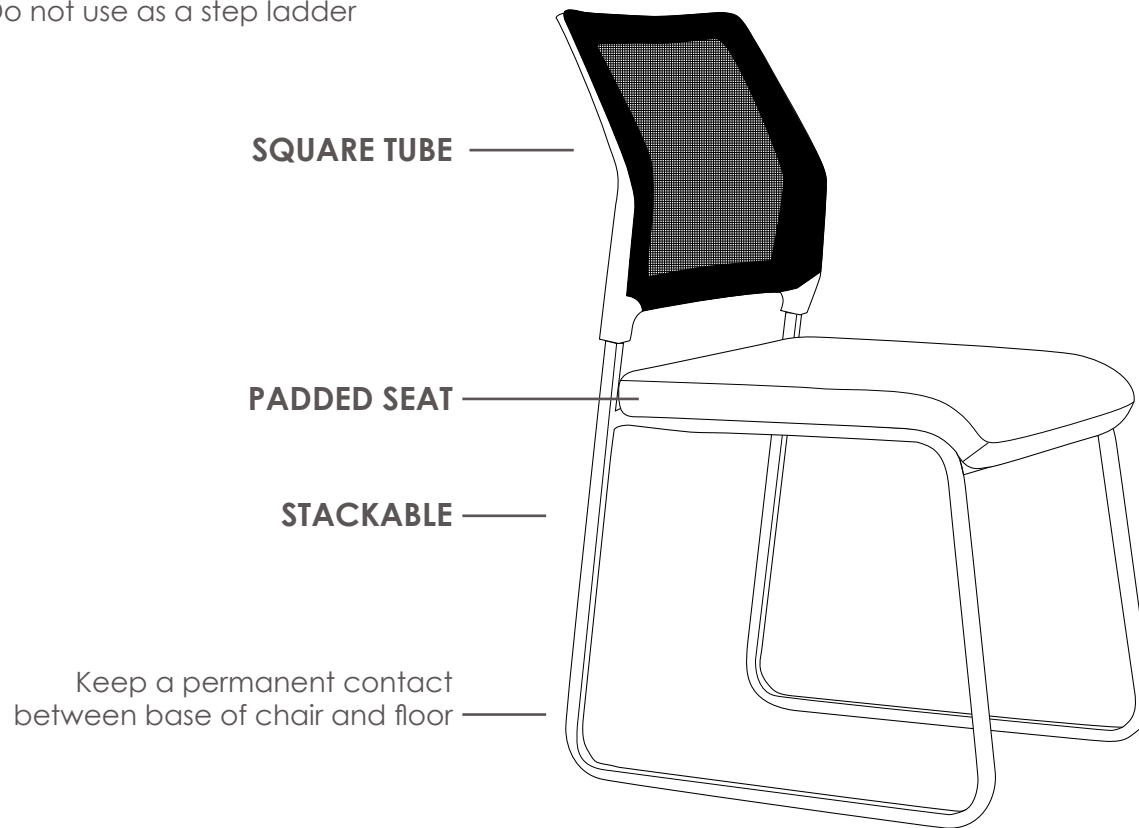


FEATURES

- » Not available with arms
- » Stackable
 - » Maximum 5 chairs on floor
- » Square tube
- » Mesh back
- » Padded seat
- » Black metal frame
- » Available in black only
- » Minor assembly required
- » Suitable for indoor use only
- » 3 year warranty
- » Weight limit is 120kg

INDOOR USE ONLY

✘ Do not use as a step ladder



NEO

NEO HOSPITALITY SEATING



NEO



BACK VIEW



SIDE VIEW

R7 HOSPITALITY SEATING

ROSE



» FEATURES

- » Soft padding
- » Polyurethane arm pads
- » Chrome finish
- » Fully welded frame
- » Available in black PU only
- » Minor assembly required
- » Suitable for indoor use only
- » 3 year warranty
- » Weight limit is 120kg

INDOOR USE ONLY

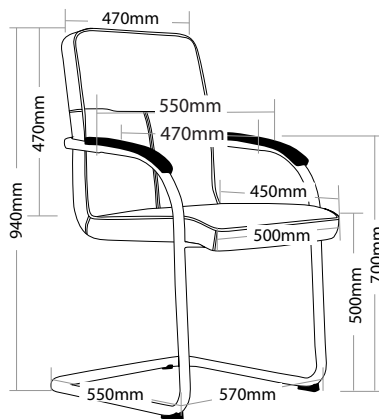
✘ Do not use as a step ladder

POLYURETHANE
ARM PADS

SOFT PADDING

CHROME FRAME

Keep a permanent contact
between base of chair and floor



ROSE

ROSE HOSPITALITY SEATING



ROSE



BACK VIEW



SIDE VIEW

FOCUS



FEATURES

- » Optional arms
- » Optional left / right hand tablet arm
- » Optional black metal trolley, easy to move when stacked
- » Available in beam seating
- » Multi purpose stackable client chair
 - » Maximum 20 chairs on trolley
 - » Maximum 5 chairs on floor
 - » Maximum 3 chairs with arms
 - » Not stackable with tablet arms
- » Linkable except with tablet arms or arms
- » Fully strengthened plastic back shell
- » Fully welded frame
- » Sled chrome base
- » Available in black only
- » BIFMA drop tested
- » Suitable for indoor use only
- » 4 year warranty
- » Weight limit is 120kg

INDOOR USE ONLY

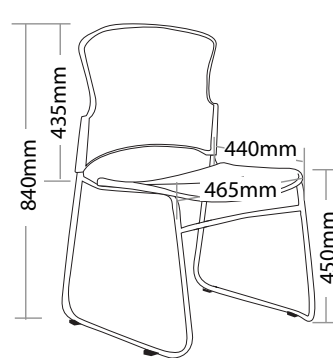
✘ Do not use as a step ladder

WELDED FRAME

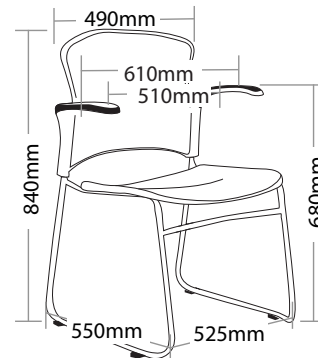
STACKABLE

SLED BASE FRAME

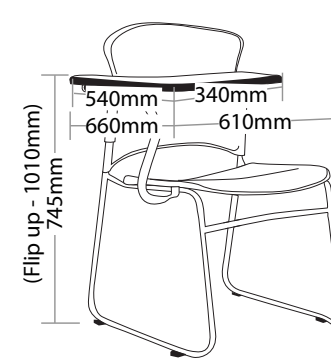
Keep a permanent contact between base of chair and floor



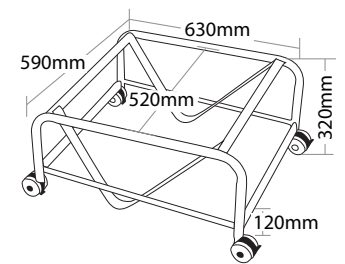
FOC-1



FOC-1A



FOC-1TR



FOC-TRL

FOCUS HOSPITALITY SEATING



FOC-1



FOC-1A



FOC-1TR



FOC-1TL



FOC-TRL



VINN



FEATURES

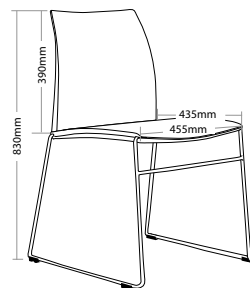
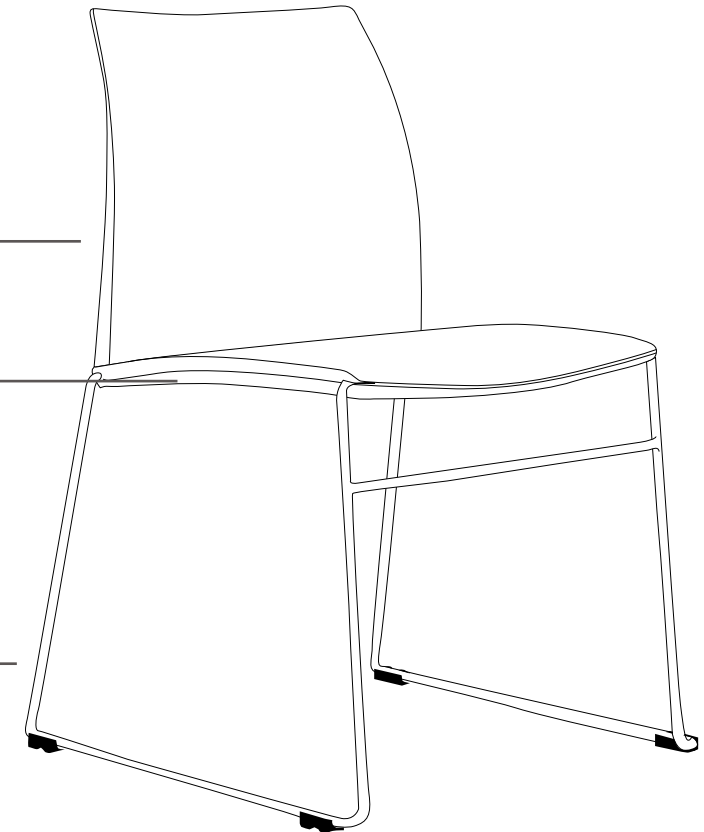
- » Optional plastic or mesh back
- » Optional arms, tablet arm or stool
- » Optional black metal trolley, easy to move when stacked
- » Available in beam seating
- » Stackable
 - » Maximum 13 chairs on trolley
 - » Maximum 5 chairs on floor
 - » Maximum 3 chairs with stools or arms
- » Not stackable with tablet arms or stool with arms
- » Linkable except with tablet arms or arms
- » Chrome finish
- » Black plastic
- » Plastic under pan
- » Solid steel sled base frame
- » Available in black only
- » Suitable for indoor use only
- » 4 year warranty
- » Weight limit is 120kg

INDOOR USE ONLY

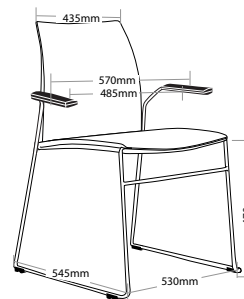
✗ Do not use as a step ladder

STACKABLE
PLASTIC UNDER PAN

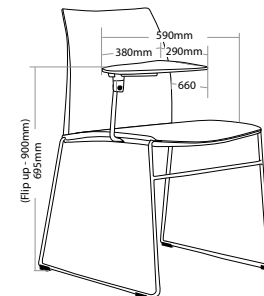
SOLID STEEL SLED BASE FRAME
Keep a permanent contact between base of chair and floor



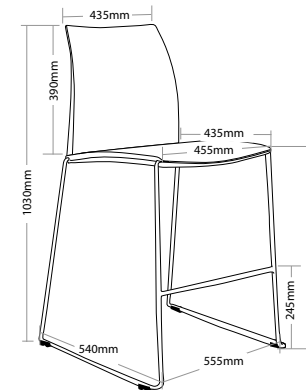
VINN-B



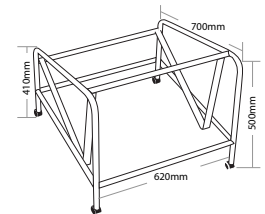
VINN-BA



VINN-BT



VINN-B-ST



VINN-TRL

VINN HOSPITALITY SEATING



VINN-B



VINN-BA



VINN-BT



VINN-B-ST



VINN-B-STA



VINN-TRL



VINN MESH

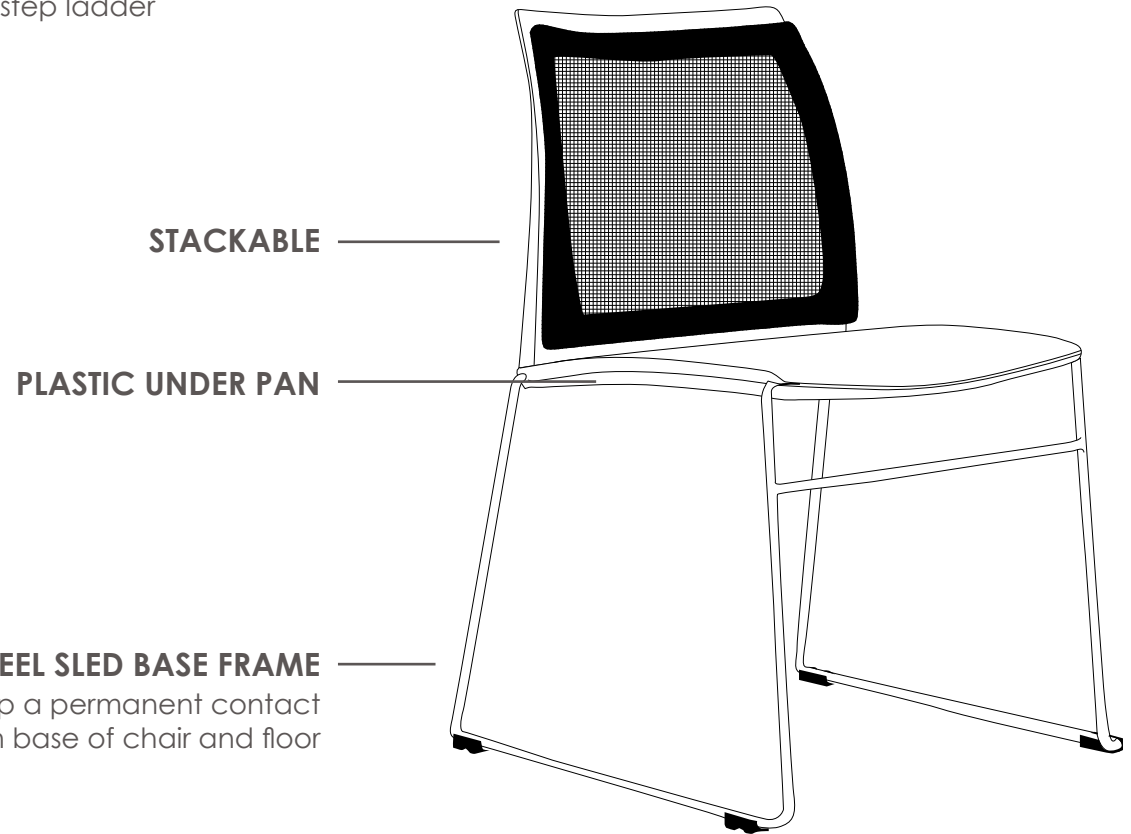


FEATURES

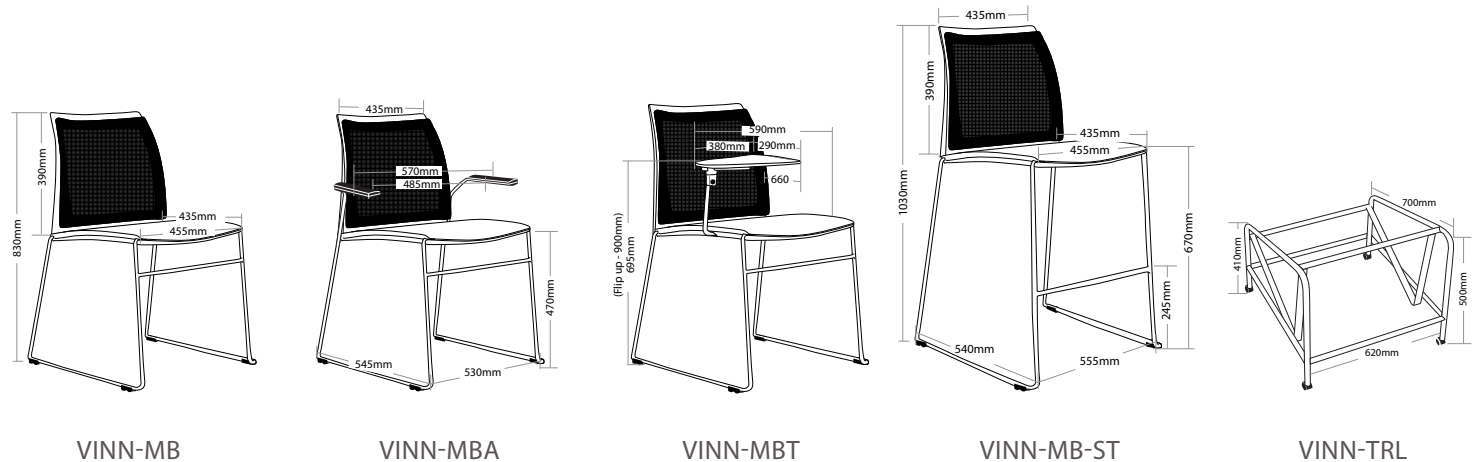
- » Optional plastic or mesh back
- » Optional arms, tablet arm or stool
- » Optional black metal trolley, easy to move when stacked
- » Available in beam seating
- » Stackable
 - » Maximum 13 chairs on trolley
 - » Maximum 5 chairs on floor
 - » Maximum 3 chairs with stools or arms
- » Not stackable with tablet arms or stool with arms
- » Linkable except with tablet arms or arms
- » Chrome finish
- » Black plastic
- » Plastic under pan
- » Solid steel sled base frame
- » Available in black only
- » Suitable for indoor use only
- » 4 year warranty
- » Weight limit is 120kg

INDOOR USE ONLY

✗ Do not use as a step ladder



SOLID STEEL SLED BASE FRAME
Keep a permanent contact between base of chair and floor



VINN MESH HOSPITALITY SEATING



VINN-MB



VINN-MBA



VINN-MBT



VINN-MB-ST



VINN-MB-STA



VINN-TRL



R7 HOSPITALITY SEATING

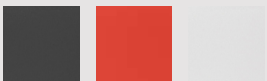
POD 4 LEGS



FEATURES

- » Optional arms
- » Optional tablet arm
- » Optional stool
- » Optional black metal trolley, easy to move when stacked
- » Optional 4 legs or sled base chrome frame
- » Available in beam seating
- » Stackable
 - » Maximum 13 chairs on trolley
 - » Maximum 5 chairs on floor
 - » Maximum 3 chairs with stool or arms
 - » Maximum 3 chairs with tablet arms
- » Plastic under pan
- » Available in black, red and white only
- » Suitable for indoor use only
- » 4 year warranty
- » Weight limit is 120kg

COLOUR



B-Black R-Red W-White

INDOOR USE ONLY

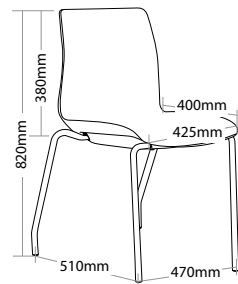
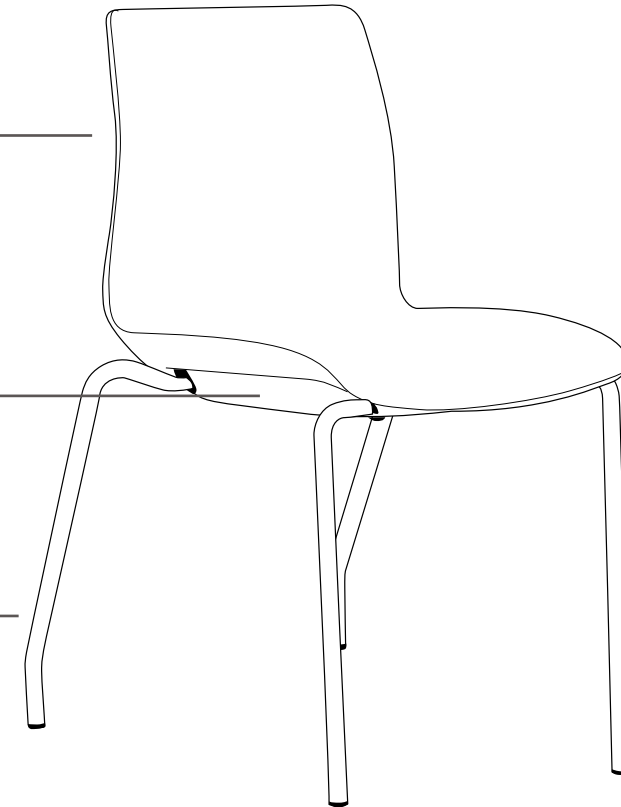
✘ Do not use as a step ladder

STACKABLE

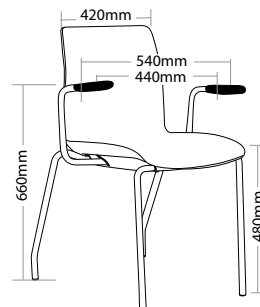
PLASTIC UNDER PAN

4 LEGS FRAME

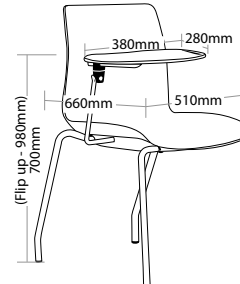
Keep a permanent contact between base of chair and floor



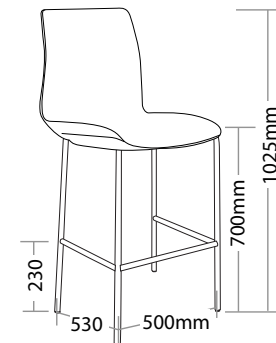
POD-4



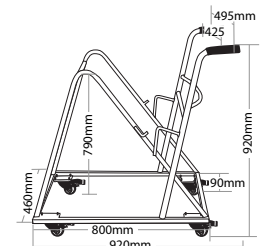
POD-4A



POD-4T



POD-ST



POD-TRL

POD 4 LEGS HOSPITALITY SEATING



POD-4B



POD-4RA



POD-4WT



POD-STW



POD-STB



POD-TRL

R7 HOSPITALITY SEATING

POD SLED



FEATURES

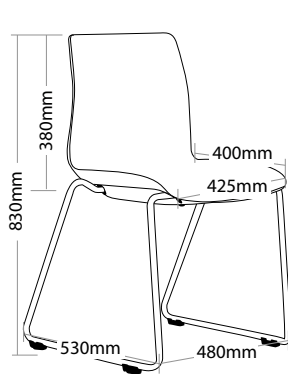
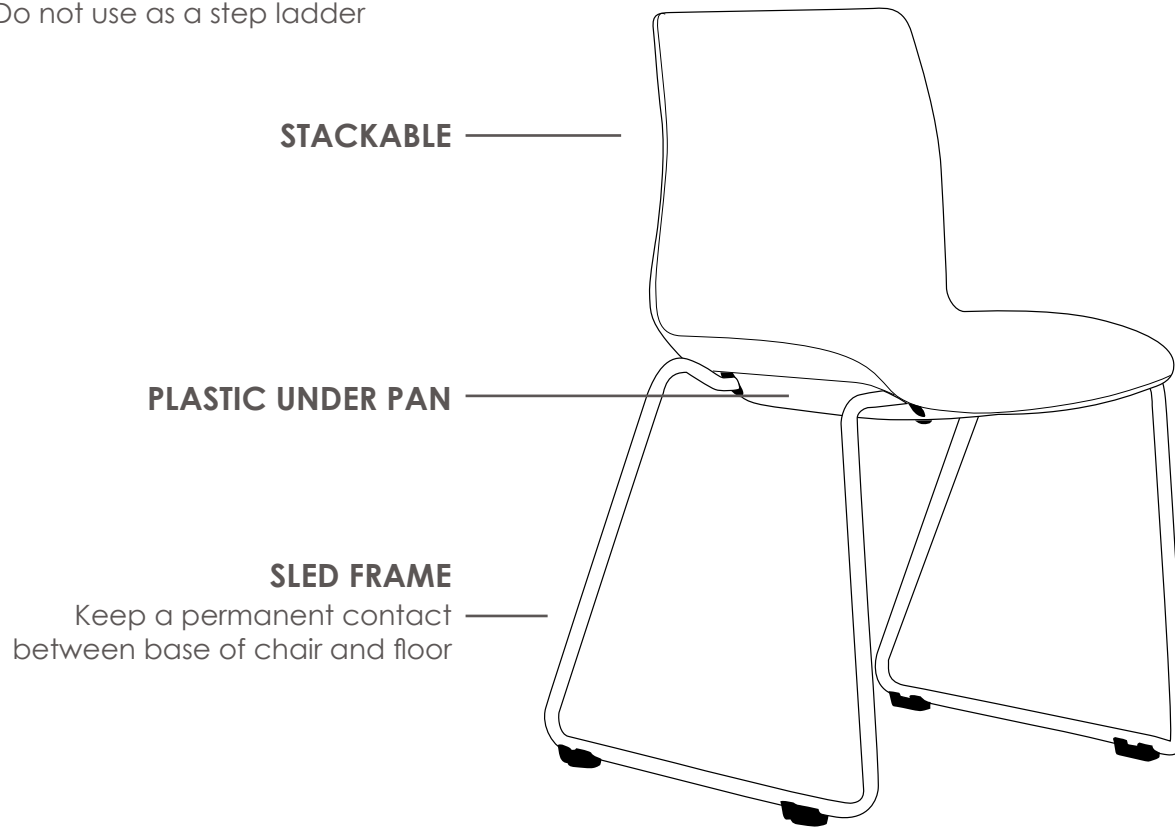
- » Optional arms
- » Optional tablet arm
- » Optional black metal trolley, easy to move when stacked
- » Optional 4 legs or sled base chrome frame
- » Available in beam seating
- » Stackable
 - » Maximum 13 chairs on trolley
 - » Maximum 5 chairs on floor
 - » Not stackable with arms or tablet arms
- » Plastic under pan
- » Available in black, red and white only
- » Suitable for indoor use only
- » 4 year warranty
- » Weight limit is 120kg

COLOUR

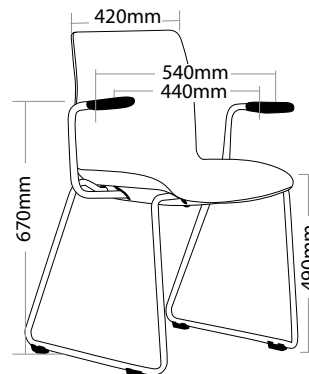


INDOOR USE ONLY

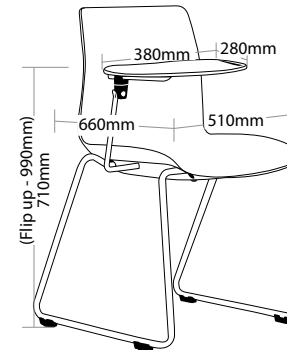
✗ Do not use as a step ladder



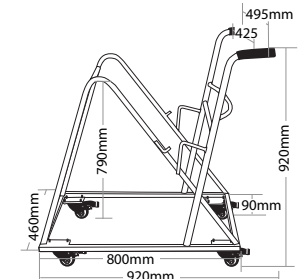
POD-S



POD-SA



POD-ST



POD-TRL

POD SLED HOSPITALITY SEATING



POD-SB



POD-SRA



POD-SWT



POD-TRL

FOCUS

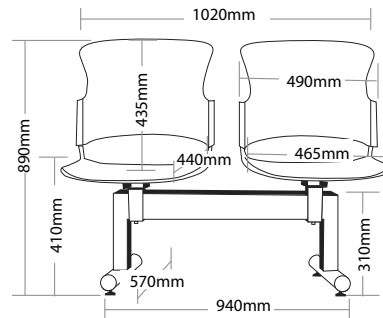
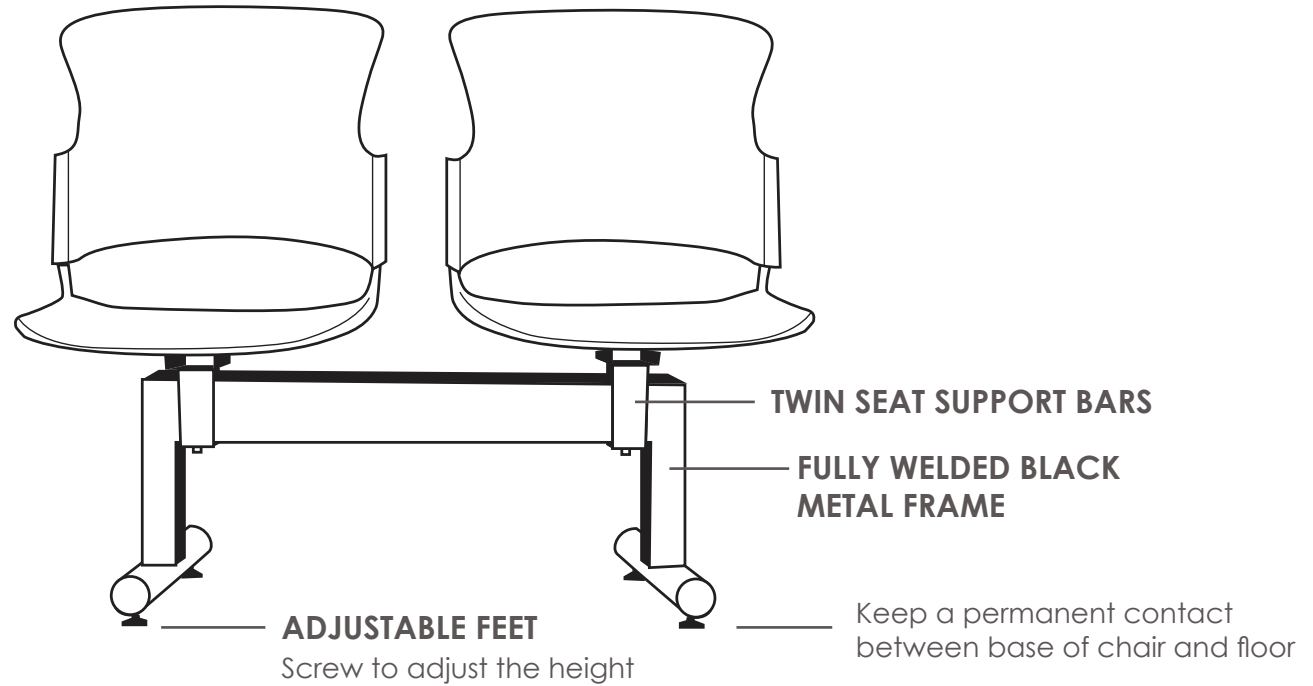


FEATURES

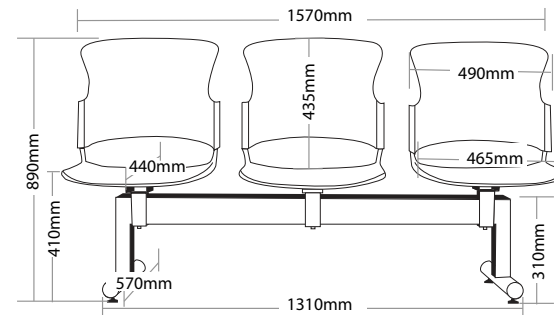
- » Optional 2 or 3 seater
- » Fully welded black metal frame
- » Twin seat support bars
- » Adjustable feet
- » Available in black only
- » Minor assembly required
- » Suitable for indoor use only
- » 4 year warranty
- » Weight limit for 2 seater is 200kg
- » Weight limit for 3 seater is 300kg

INDOOR USE ONLY

✘ Do not use as a step ladder



F-BEAM 2



F-BEAM 3

FOCUS BEAM SEATING



F-BEAM 2



F-BEAM 3

R8 BEAM SEATING

VINN

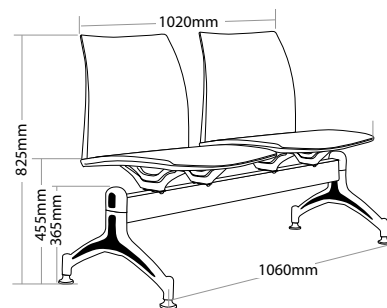
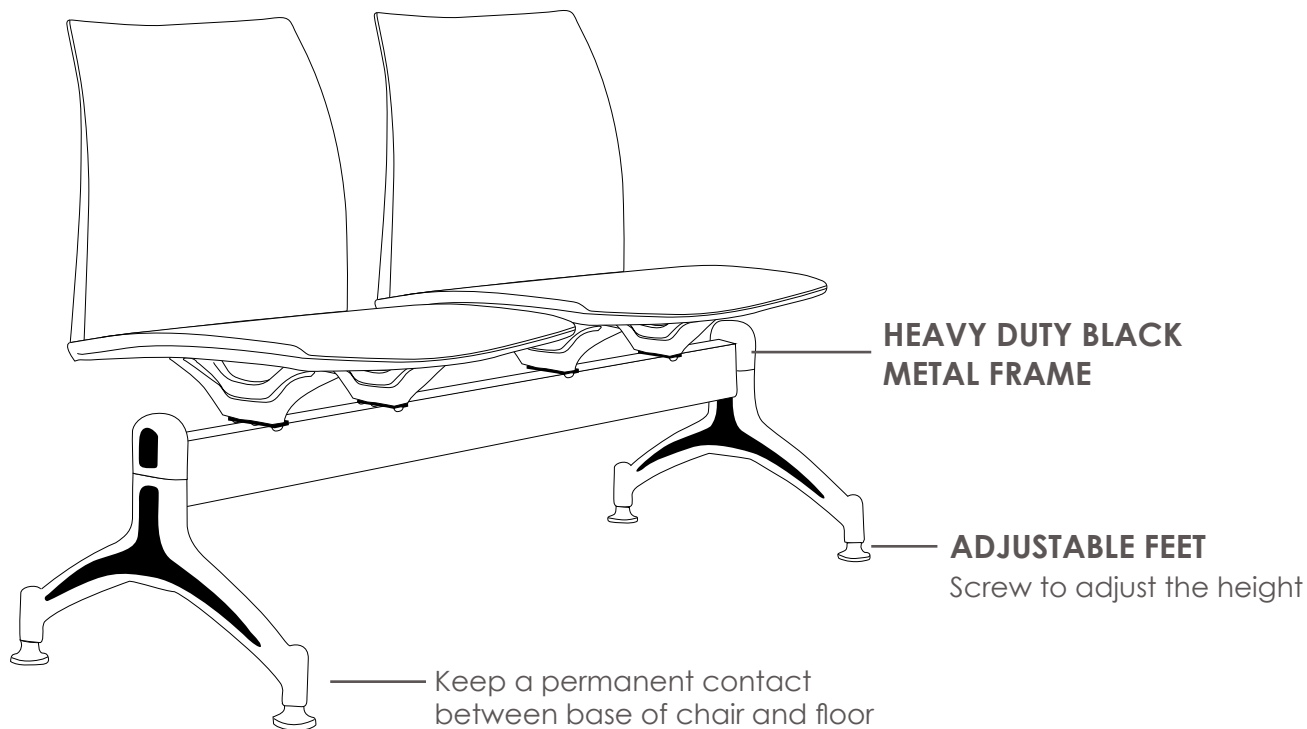


FEATURES

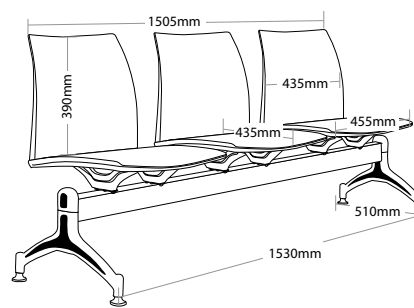
- » Optional 2, 3 or 4 seater
- » Optional plastic or mesh back
- » Heavy duty black metal beam frame
- » Black plastic
- » Adjustable feet
- » Available in black only
- » Minor assembly required
- » Suitable for indoor use only
- » 4 year warranty
- » Weight limit for 2 seater is 180kg
- » Weight limit for 3 seater is 250kg
- » Weight limit for 4 seater is 300kg

INDOOR USE ONLY

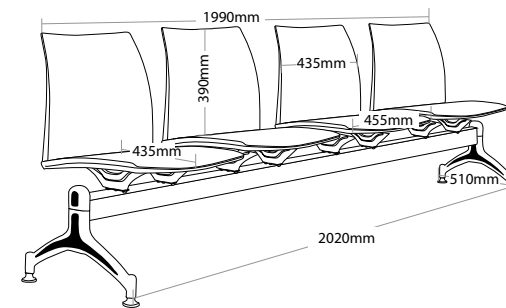
✘ Do not use as a step ladder



V-BEAM 2



V-BEAM 3



V-BEAM 4

VINN BEAM SEATING



V-BEAM 2



V-BEAM 3



V-BEAM 4



V-BEAM 2M



V-BEAM 3M



V-BEAM 4M

R8 BEAM SEATING

POD



FEATURES

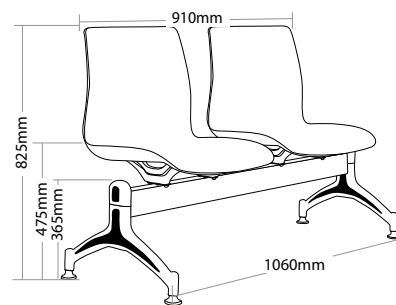
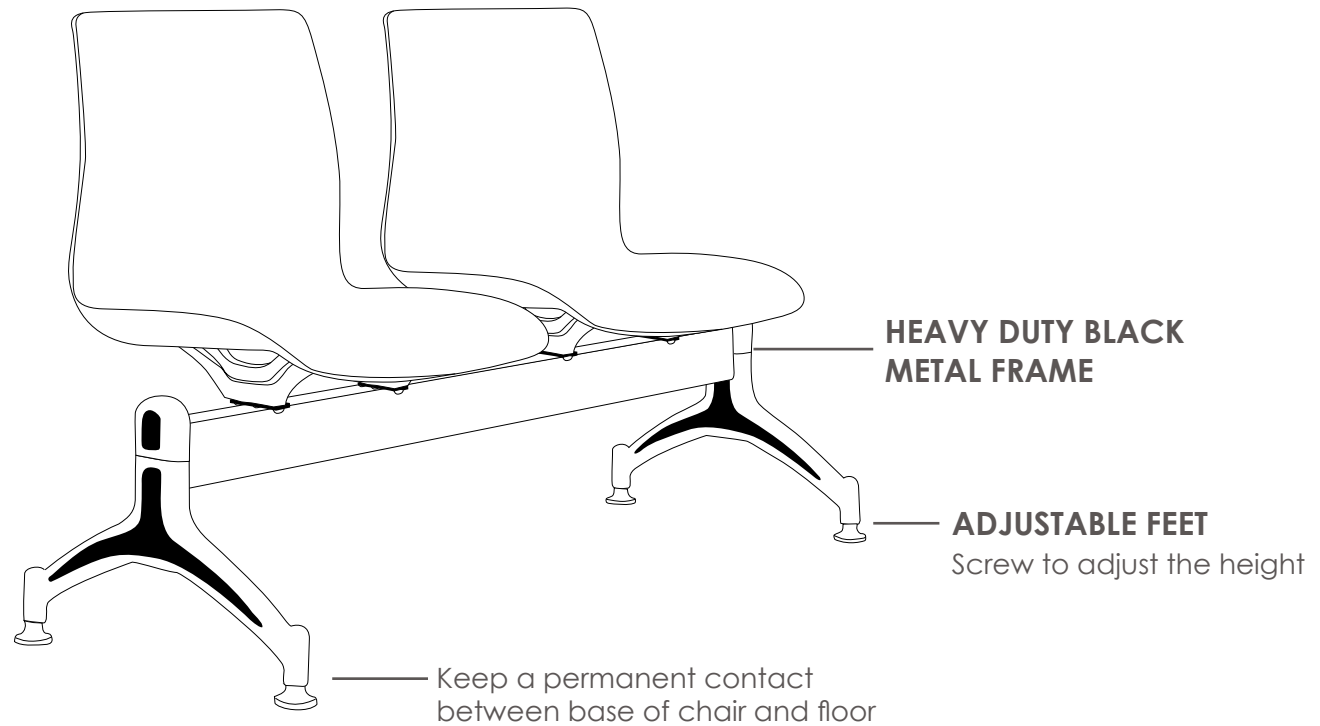
- » Optional 2, 3 or 4 seater
- » Heavy duty black metal beam frame
- » Adjustable feet
- » Available in black, red and white only
- » Minor assembly required
- » Suitable for indoor use only
- » 4 year warranty
- » Weight limit for 2 seater is 200kg
- » Weight limit for 3 seater is 300kg
- » Weight limit for 4 seater is 350kg

COLOUR

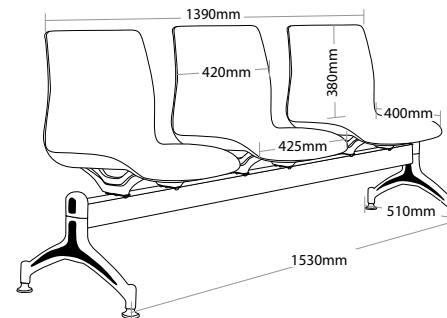


INDOOR USE ONLY

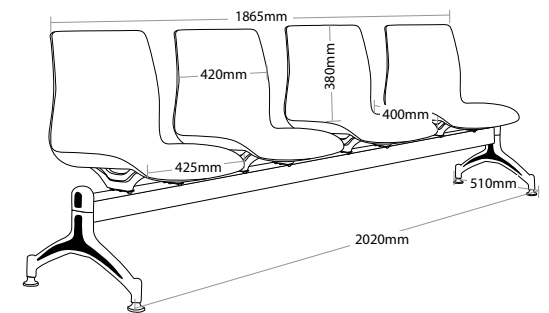
✘ Do not use as a step ladder



P-BEAM 2



P-BEAM 3



P-BEAM 4

POD BEAM SEATING



P-BEAM 2B



P-BEAM 3R



P-BEAM 4W



SIDE VIEW



BACK VIEW

R9 BREAKOUT SEATING

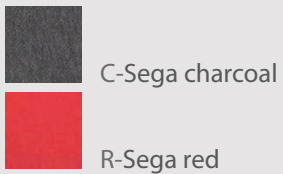
RAVEN



FEATURES

- » Fully upholstered
- » High density foam
- » Sled base chrome frame
- » Plywood shell
- » Available in Sega charcoal and red only
- » Minor assembly required
- » Suitable for indoor use only
- » 5 year warranty
- » Weight limit is 130kg

COLOUR



INDOOR USE ONLY

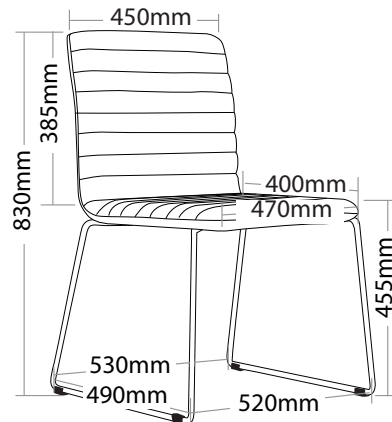
✘ Do not use as a step ladder

PLYWOOD SHELL

HIGH DENSITY FOAM

SLED CHROME FRAME

Keep a permanent contact between base of chair and floor



RAVEN

RAVEN BREAKOUT SEATING



RAVEN-C



RAVEN-R



BACKVIEW

R9 BREAKOUT SEATING

TONIC



FEATURES

- » High density seat foam
- » Moulded back foam
- » Solid rod sled base chrome frame
- » Available in Sega charcoal and red only
- » Minor assembly required
- » Suitable for indoor use only
- » 5 year warranty
- » Weight limit is 120kg

COLOUR



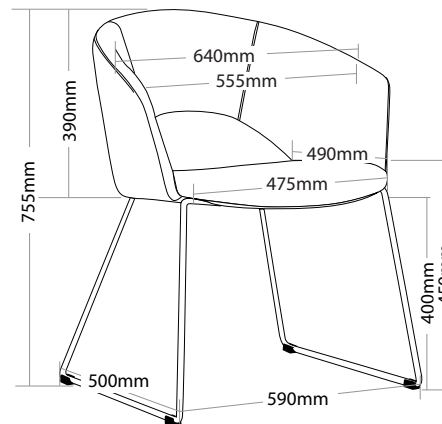
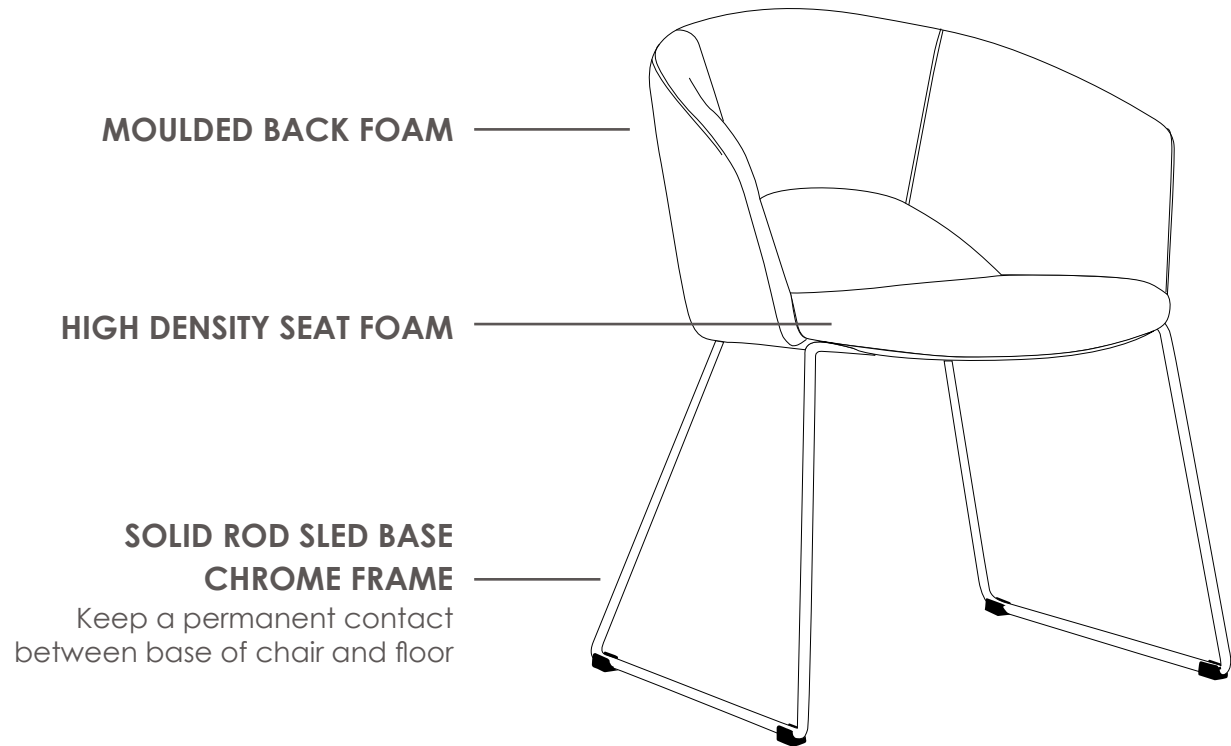
C-Sega charcoal



R-Sega red

INDOOR USE ONLY

✘ Do not use as a step ladder



TONIC

TONIC BREAKOUT SEATING



TONIC-C



TONIC-R



BACKVIEW

R9 BREAKOUT SEATING

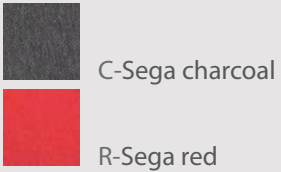
OSCAR



FEATURES

- » High density foam
- » Sled base chrome frame
- » Plywood shell
- » Available in Sega charcoal and red only
- » Minor assembly required
- » Suitable for indoor use only
- » 5 year warranty
- » Weight limit is 130kg

COLOUR



INDOOR USE ONLY

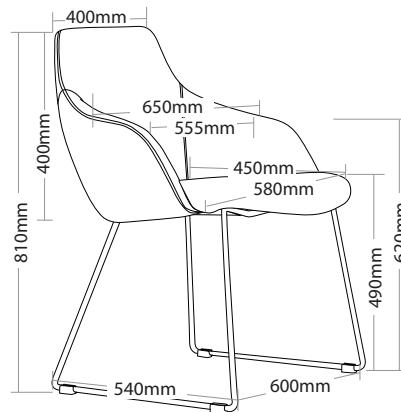
✘ Do not use as a step ladder

PLYWOOD SHELL

HIGH DENSITY FOAM

SLED CHROME FRAME

Keep a permanent contact between base of chair and floor



OSCAR

OSCAR BREAKOUT SEATING



OSCAR-C



OSCAR-R



BACK VIEW

R10 SOFT SEATING

ORION

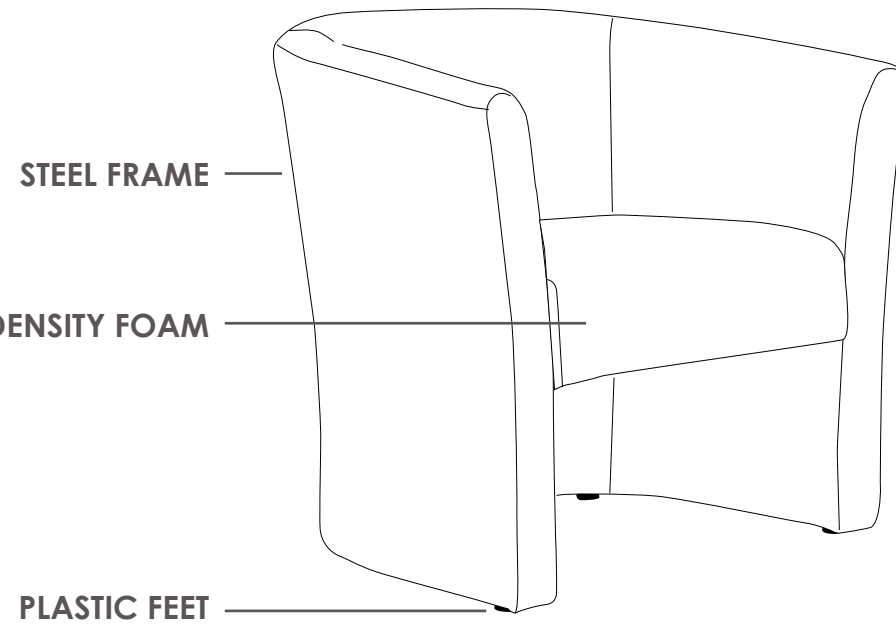


FEATURES

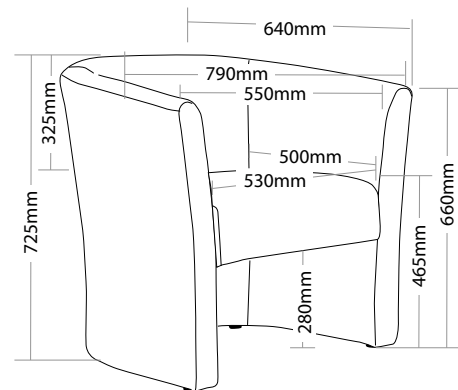
- » High density foam
- » Steel frame
- » Plastic feet
- » Available in black PU only
- » Minor assembly required
- » Suitable for indoor use only
- » 3 year warranty
- » Weight limit is 120kg

INDOOR USE ONLY

X Do not use as a step ladder



Keep a permanent contact
between base of chair and floor



ORION

ORION SOFT SEATING



ORION



FRONT VIEW



BACK VIEW

R10 SOFT SEATING

BLITZ

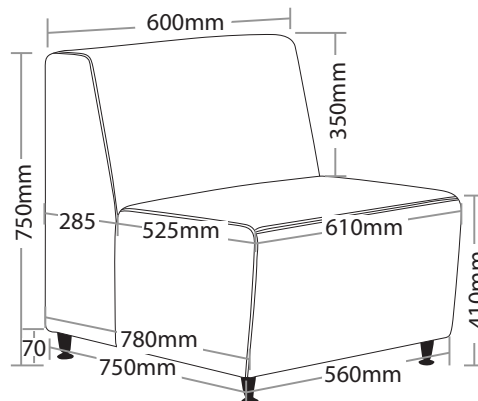
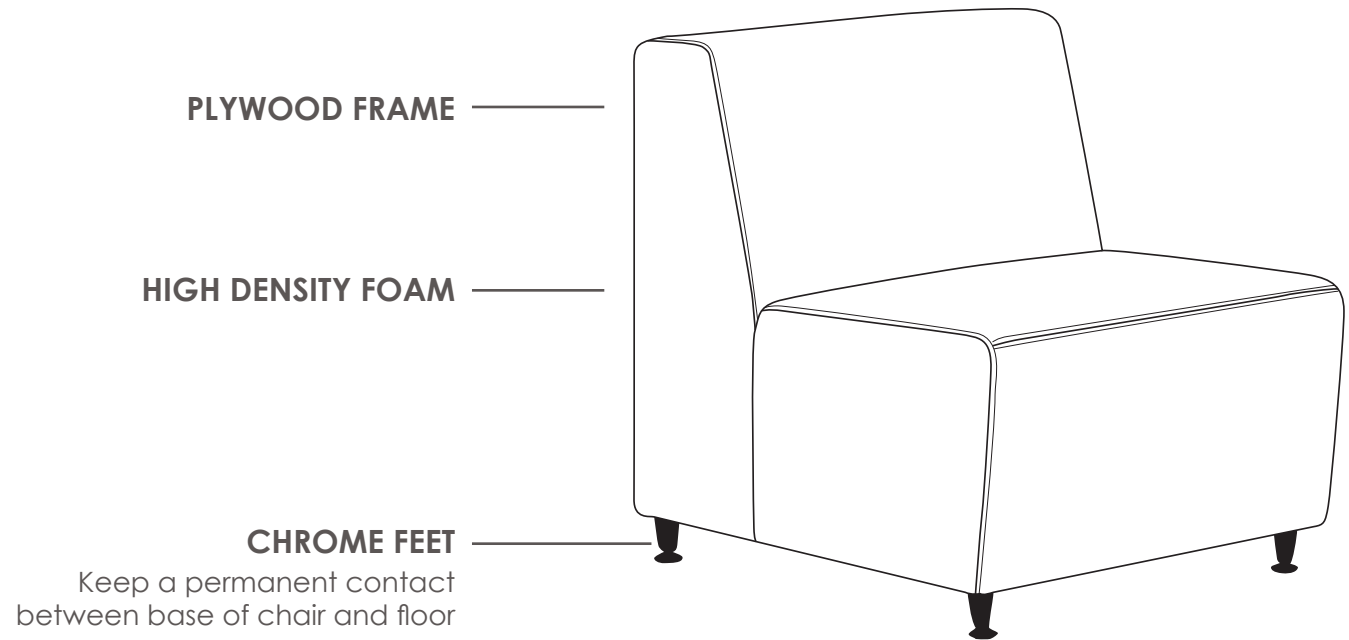


FEATURES

- » High density foam
- » Zig zag steel spring
- » Plywood frame
- » Chrome feet
- » Available in black PU
- » Minor assembly required
- » Suitable for indoor use only
- » 5 year warranty
- » Weight limit is 120kg

INDOOR USE ONLY

✘ Do not use as a step ladder



BLITZ-B

BLITZ SOFT SEATING



BLITZ-B



BACK VIEW



SIDE VIEW

R10 SOFT SEATING

RIVET



FEATURES

- » Optional 1 or 2 seater
- » High density foam
- » Stainless steel frame
- » Solid timber inner frame
- » Available in black PU only
- » Minor assembly required
- » Suitable for indoor use only
- » 5 year structural warranty
- » Weight limit for 1 seater is 130kg
- » Weight limit for 2 seater is 260kg

INDOOR USE ONLY

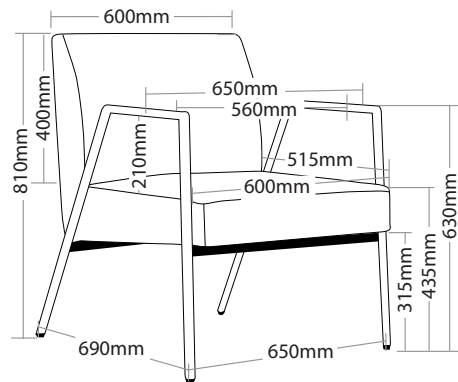
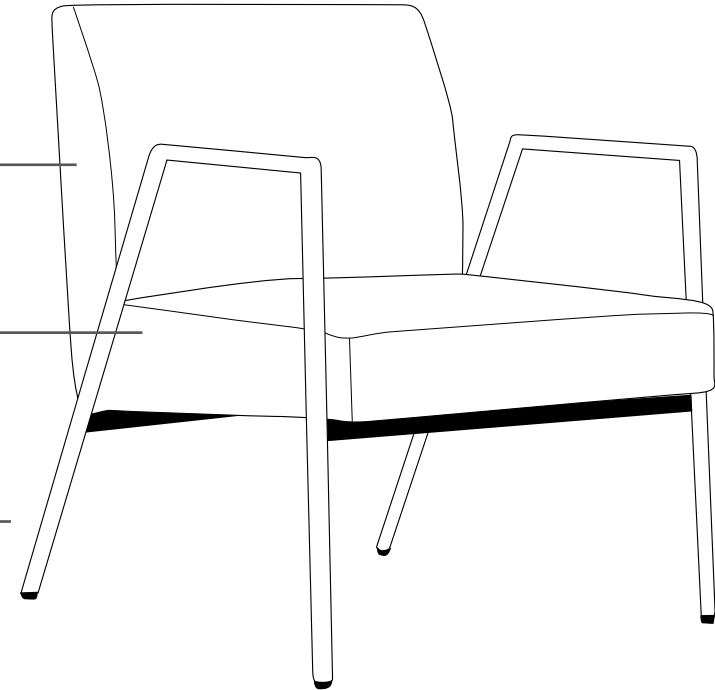
✘ Do not use as a step ladder

SOLID TIMBER INNER FRAME

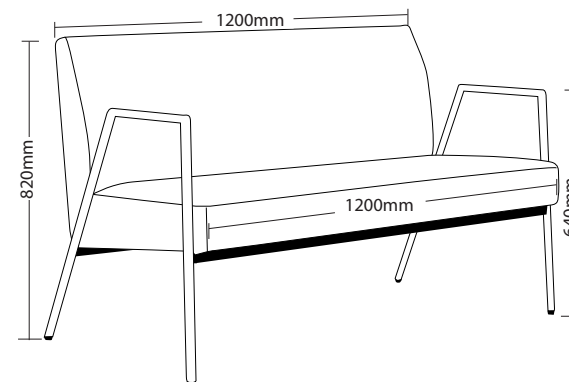
HIGH DENSITY FOAM

STAINLESS STEEL FRAME

Keep a permanent contact between base of chair and floor



RIVET-1



RIVET-2

RIVET SOFT SEATING



RIVET-1



RIVET-2

R10 SOFT SEATING

JADEN



FEATURES

- » Optional 1 or 2 seater
- » High density foam
- » Stainless steel frame
- » Solid timber inner frame
- » Available in black PU only
- » Minor assembly required
- » Suitable for indoor use only
- » 5 year structural warranty
- » Weight limit for 1 seater is 130kg
- » Weight limit for 2 seater is 260kg

INDOOR USE ONLY

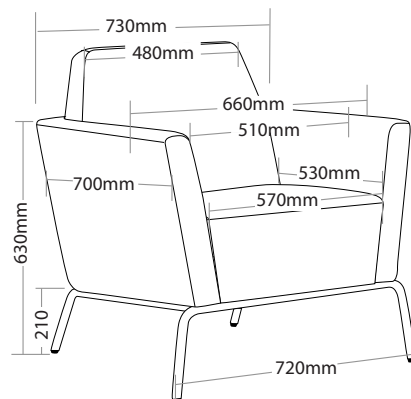
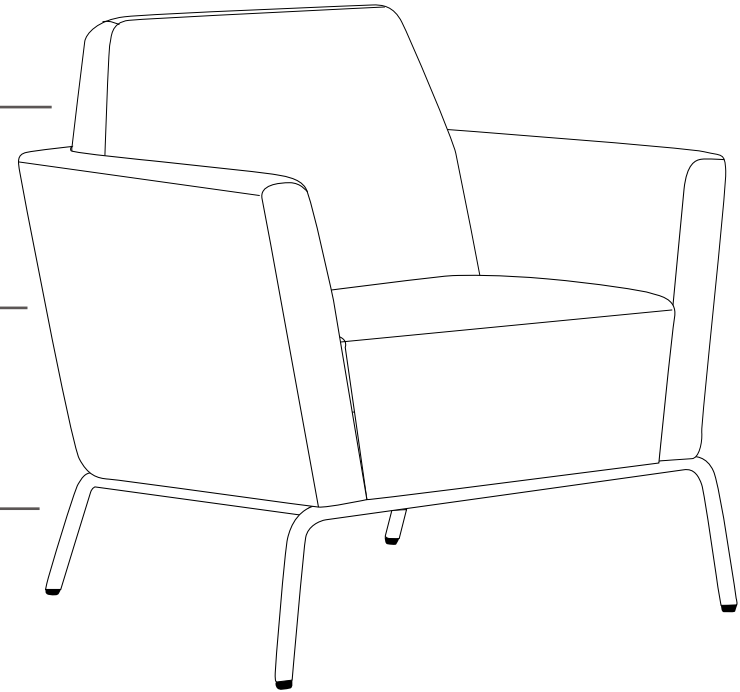
✘ Do not use as a step ladder

HIGH DENSITY FOAM

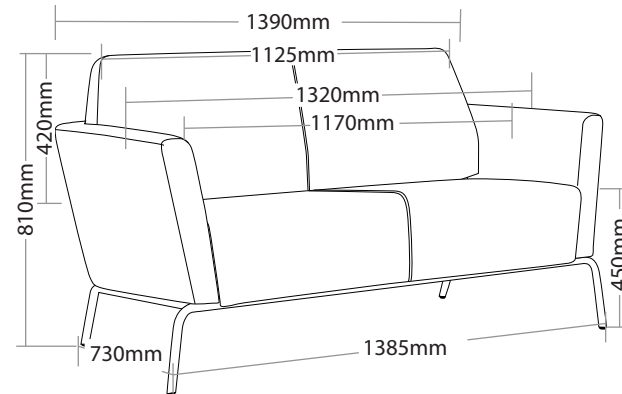
SOLID TIMBER INNER FRAME

STAINLESS STEEL FRAME

Keep a permanent contact between base of chair and floor



JADEN-1



JADEN-2

JADEN SOFT SEATING



JADEN-1



JADEN-2

R10 SOFT SEATING

PLAZA

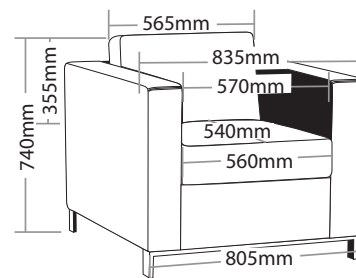
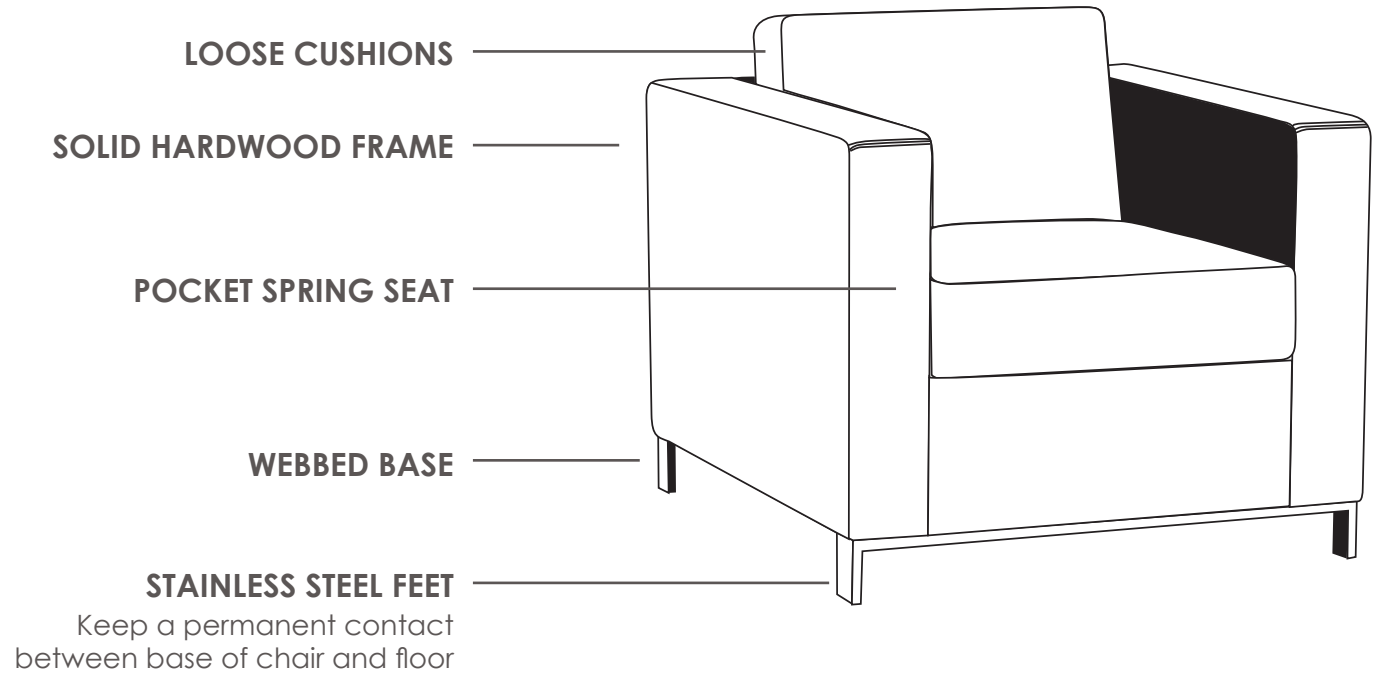


FEATURES

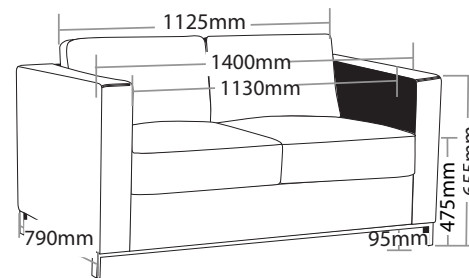
- » Optional 1, 2 or 3 seater
- » Pocket spring seat
- » Loose cushions upholstered both sides
- » Zig zag steel spring
- » Webbed base
- » Solid hardwood frame
- » Stainless steel feet
- » Available in black PU only
- » Minor assembly required
- » Suitable for indoor use only
- » 5 year warranty
- » Weight limit for 1 seater is 130kg
- » Weight limit for 2 seater is 260kg
- » Weight limit for 3 seater is 390kg

INDOOR USE ONLY

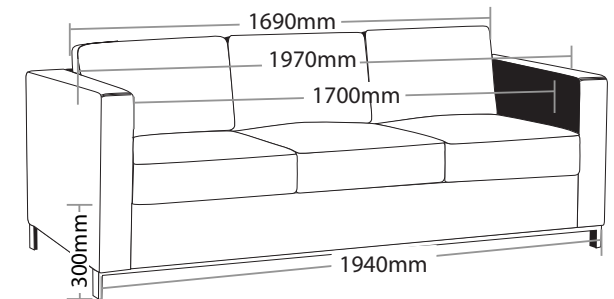
✘ Do not use as a step ladder



PL-1S



PL-2S



PL-3S

PLAZA SOFT SEATING



PL-1S



PL-2S



PL-3S

R11 INDUSTRIAL STOOLS

CAD

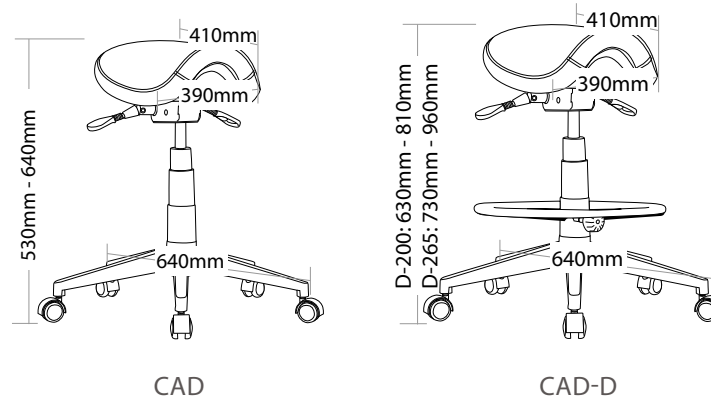
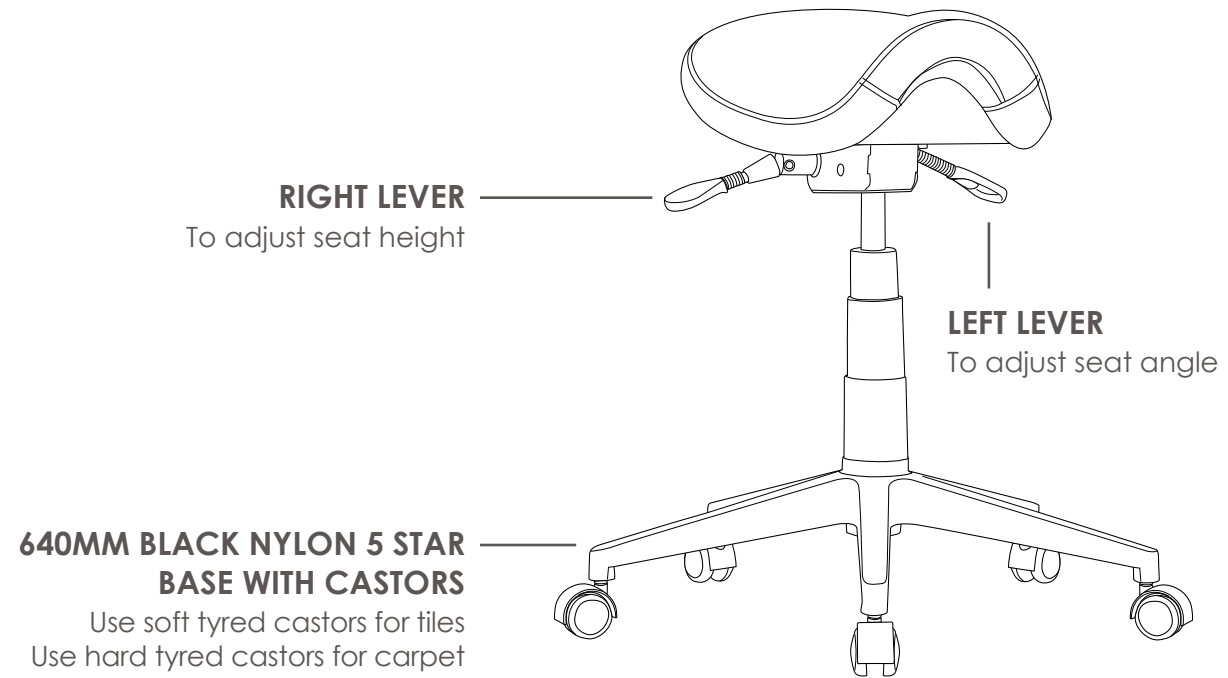


FEATURES

- » Adjustable seat height
- » Adjustable seat angle
- » Optional drafting kit
- » Optional glides or brake castors
- » Saddle seat
- » Nylon castors
- » 640mm black nylon base
- » Available in black PU only
- » Minor assembly required
- » Suitable for indoor use only
- » 5 year warranty
- » Weight limit is 120kg

INDOOR USE ONLY

X Do not use as a step ladder



CAD INDUSTRIAL STOOL



CAD



CAD-D



BACK VIEW

R11 INDUSTRIAL STOOLS

STAGE

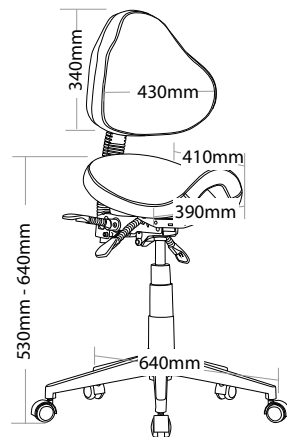
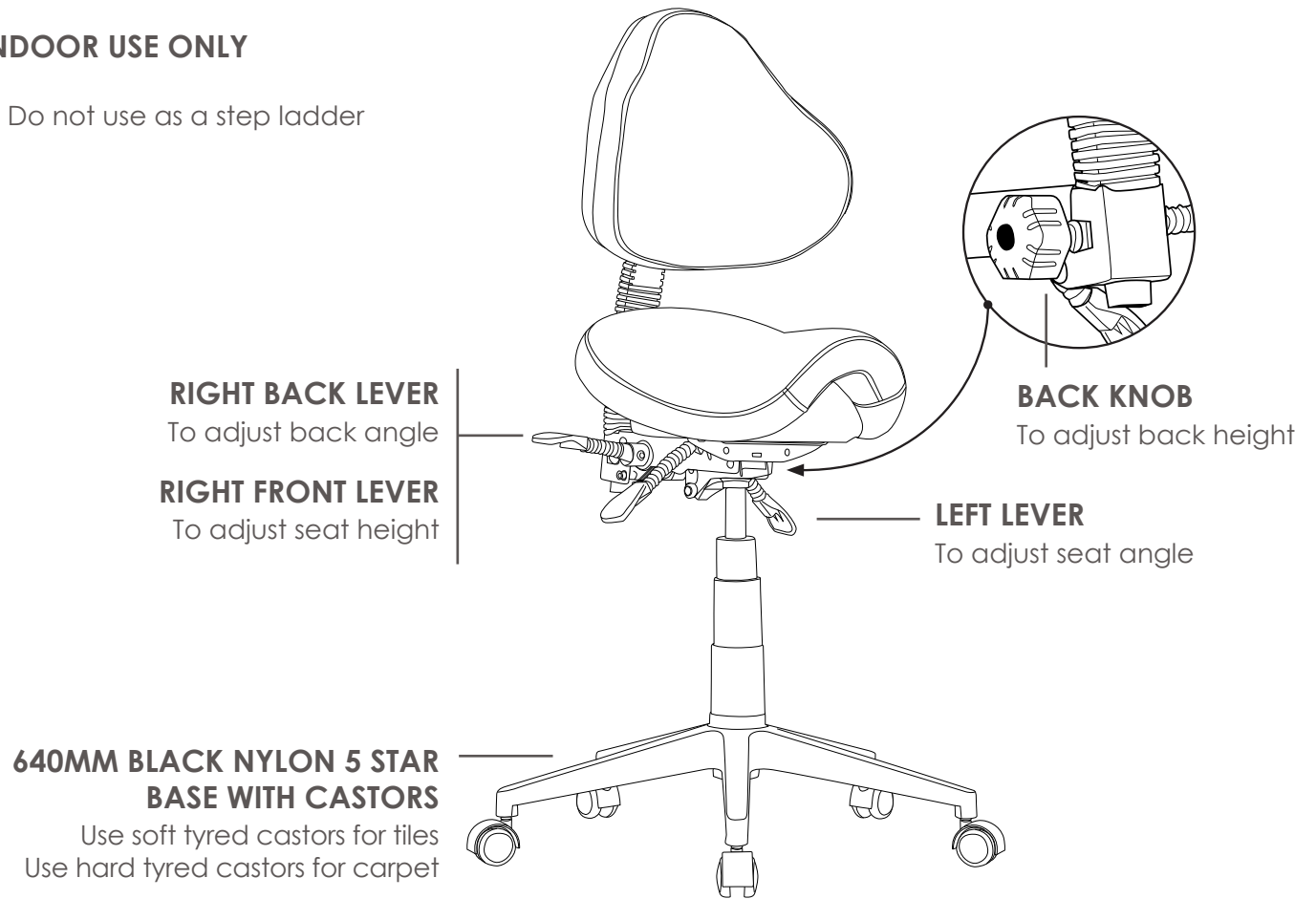


FEATURES

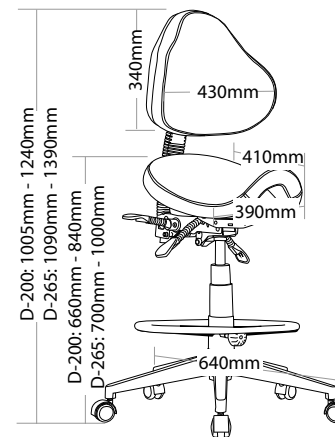
- » Adjustable seat height
- » Adjustable back height
- » Adjustable seat and back angle
- » Optional drafting kit
- » Optional glides or brake castors
- » Saddle seat
- » 640mm black nylon base with castors
- » Available in black PU only
- » Minor assembly required
- » Suitable for indoor use only
- » 5 year warranty
- » Weight limit is 120kg

INDOOR USE ONLY

✗ Do not use as a step ladder



STAGE



STAGE-D

STAGE INDUSTRIAL STOOL



STAGE



STAGE-D



BACK VIEW

R11 INDUSTRIAL STOOLS

STATE

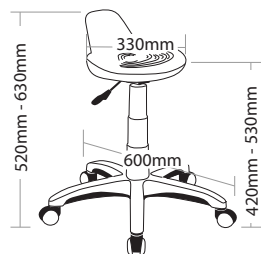
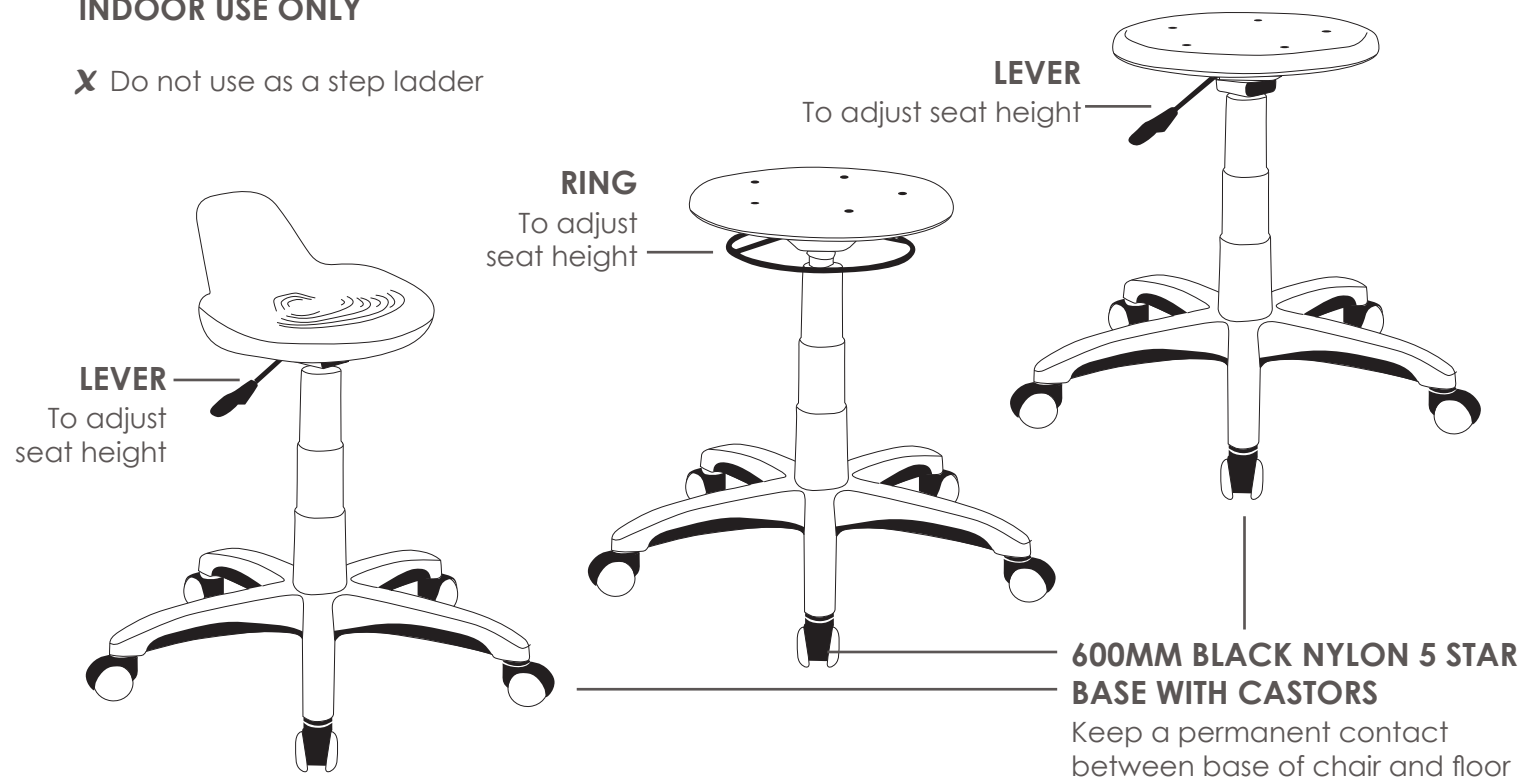


FEATURES

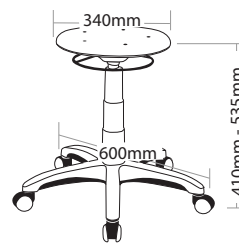
- » Adjustable seat height
- » Optional drafting kit
- » Optional glides or brake castors
- » 600mm black nylon base
- » Available in black only
- » Minor assembly required
- » Suitable for indoor use only
- » 5 year warranty
- » Weight limit is 120kg

INDOOR USE ONLY

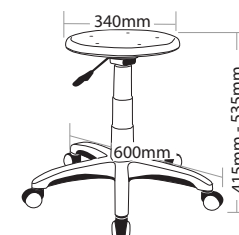
X Do not use as a step ladder



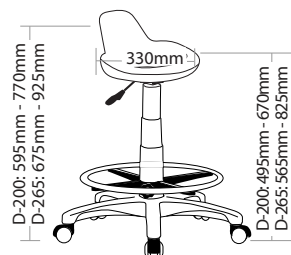
ST001



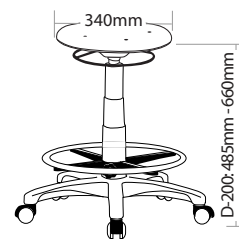
ST005



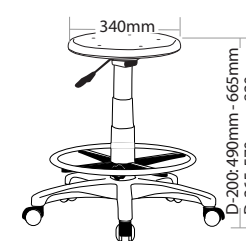
ST008



ST001D



ST005D



ST008D

STATE INDUSTRIAL STOOL



ST001



ST005



ST008



ST001D



ST005D



ST008D

R11 INDUSTRIAL STOOLS

STATE

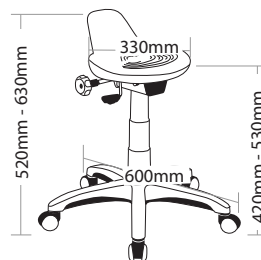
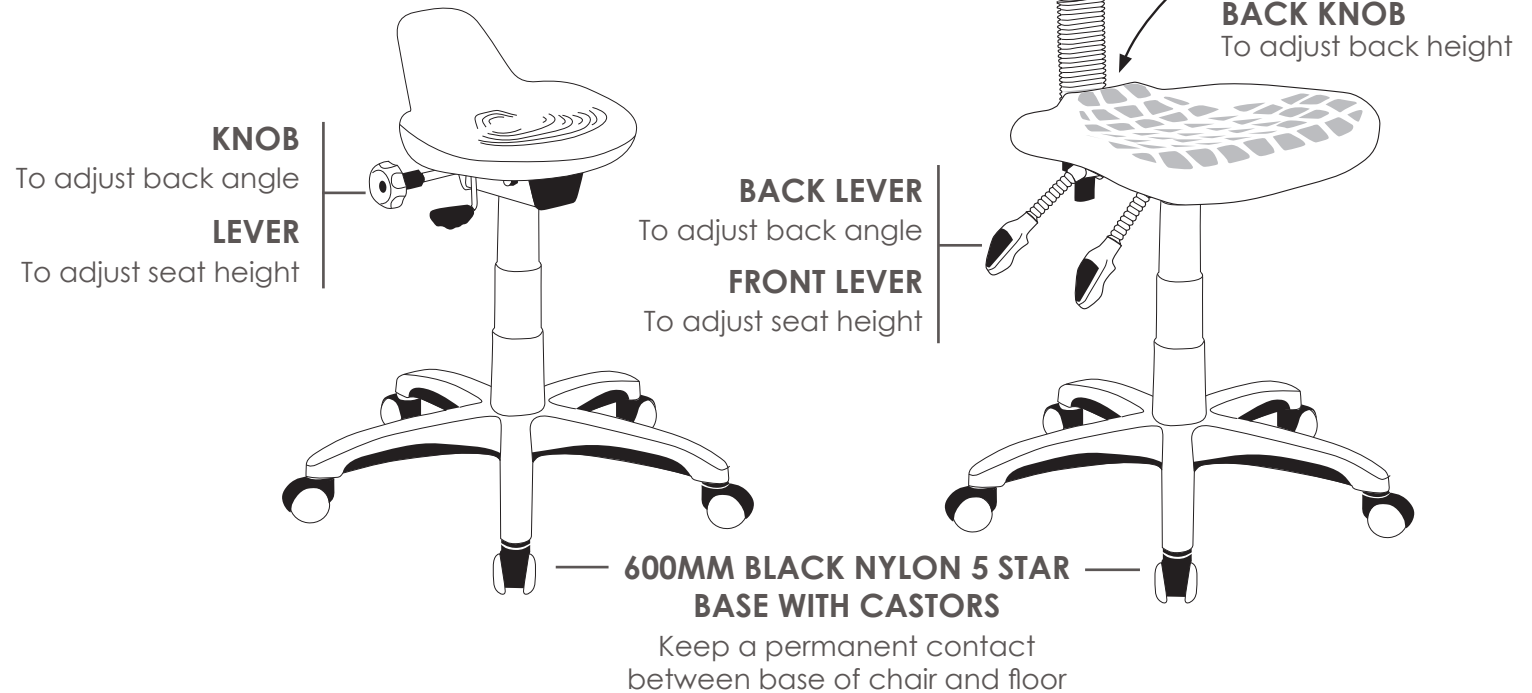


FEATURES

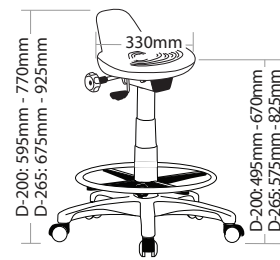
- » Adjustable seat height
- » Adjustable back height (ST007 only)
- » Adjustable seat angle (ST007 only)
- » Optional drafting kit
- » Optional glides or brake castors
- » 600mm black nylon base
- » Available in black only
- » Minor assembly required
- » Suitable for indoor use only
- » 5 year warranty
- » Weight limit is 120kg

INDOOR USE ONLY

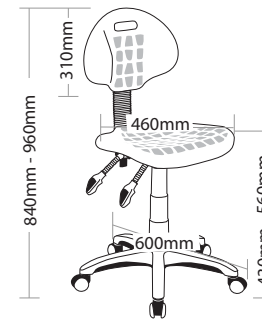
X Do not use as a step ladder



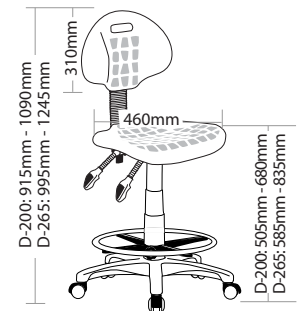
ST006



ST006D



ST007



ST007D

STATE INDUSTRIAL STOOL



ST006



ST006D



ST007



ST007D



Ascot Commercial Group is a premier corporate and commercial interior design company in Australia.

With more than 40 years of experience in the design industry and a long list of clients, our consultants have the experience and resources to create functional, environmentally conscious and professional interiors for all industries. Our business is family managed and owned, and has a singular focus - to satisfy the needs of each of our valued customers - whether large or small.

Our custom design process<<http://www.ascotcommercial.com.au/process/>> has a consultative approach, and our interior designers work with you to design the best fitouts and furniture to suit your space.

Our team is comprised of some of the most accomplished professional interior design consultants Australia-wide, who understand the requirements of businesses in terms of fast turnaround, diligent service and results that represent a real value for money investment in the future of the business.

By designing with the individual business in mind, and sourcing quality products that fit with the design concept, Ascot Commercial produces stunning commercial interiors on time and on budget.

Whether you need a full office fitout with efficient workstations and boardroom tables or just a new reception desk to give your entrance a facelift, our designers have the perfect solution for every unique premise.

T: 1300 720 608

E: sales@ascotcommercial.com.au

W: www.ascotcommercial.com.au

OFFICES MELBOURNE, SYDNEY, BURNIE